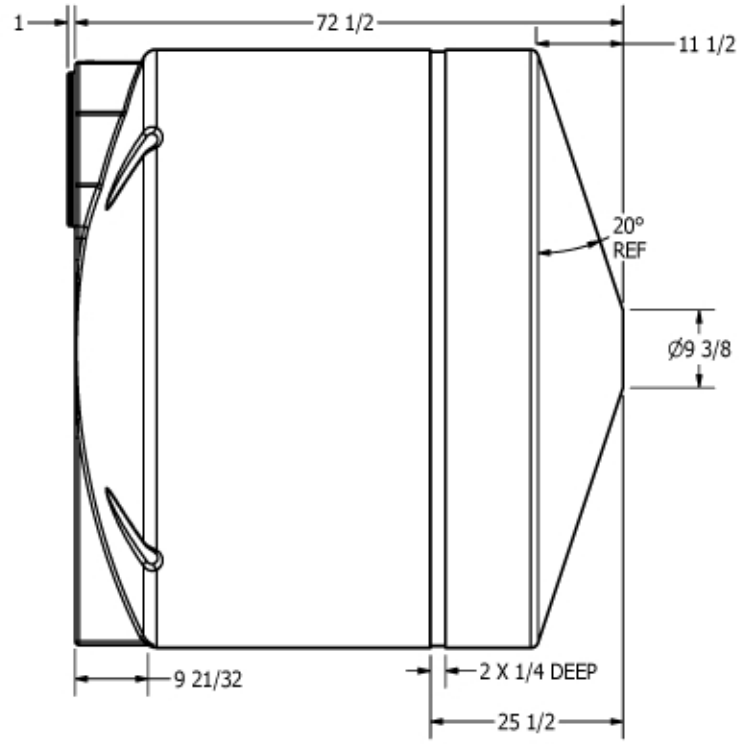



VIEW A-A



A

REVISION HISTORY			
REV	DESCRIPTION	DATE	AUTHOR
A	REDRAWN: DIMENSION CORRECTED	6/25/2013	Michael Holden
DRAWN	Jerry Paulson	6/6/1997	 <b>MAS PRECISION PLASTICS</b> Real Service. Real Solutions.
CHECKED			
QA			
MFG			
APPROVED			
TITLE			
1050 GALLON CONE BOTTOM TANK			
SIZE	B	DWG NO	REV
			A
SCALE: 1/16		SHEET 1 OF 1	