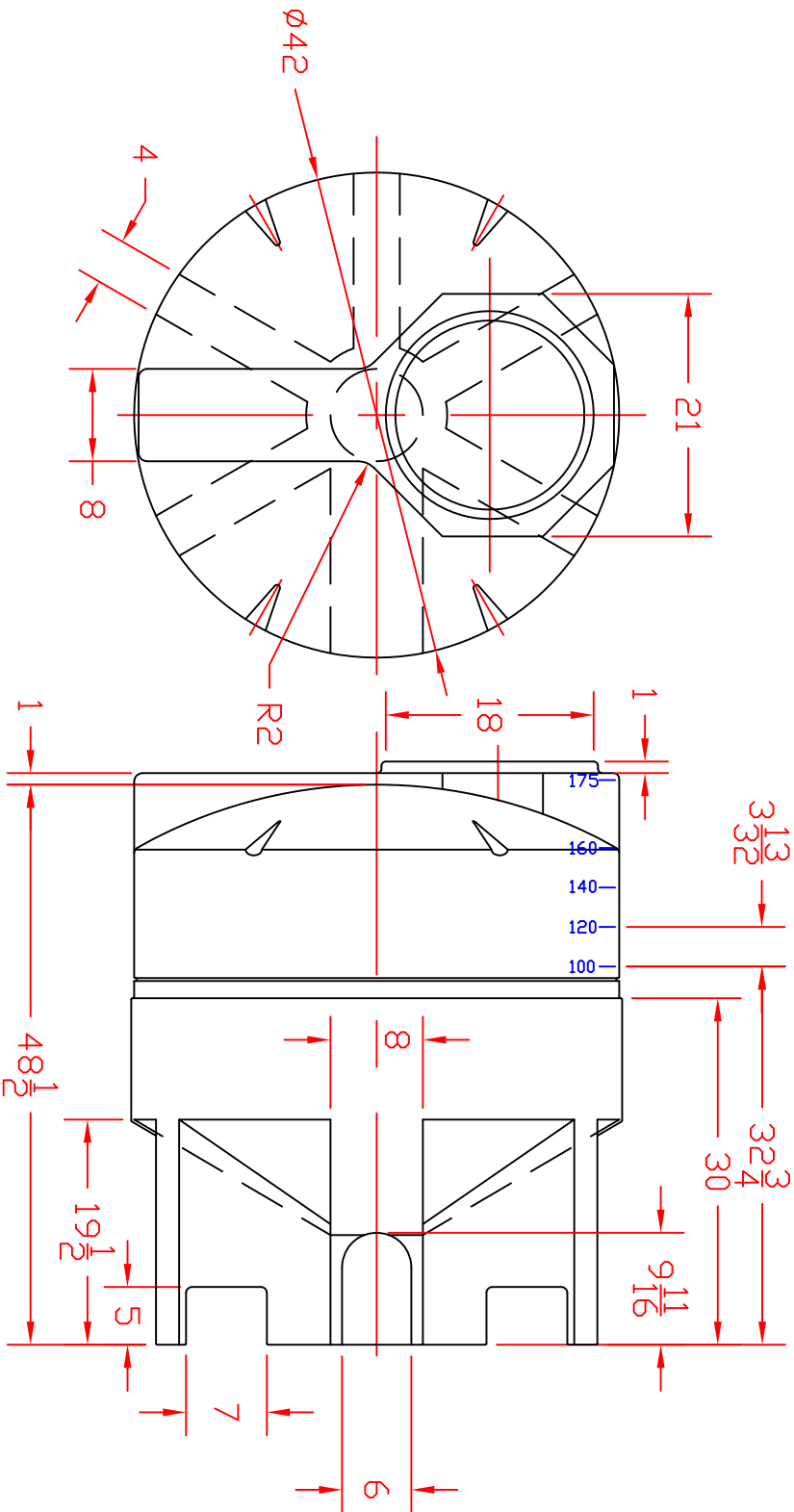


REVISIONS

ZONE	REV	DESCRIPTION	DATE	APPROVED
B		REDRAWN W/ 16" LID	23JAN02	



MAS PRECISION PLASTICS
Real Service. Real Solutions.

175 GALLON CONE BOTTOM
TANK WITH STAND

JTP 23JAN02

SIZE A

FSCM NO.

DWG NO.

REV B

SCALE 1/16

SHEET