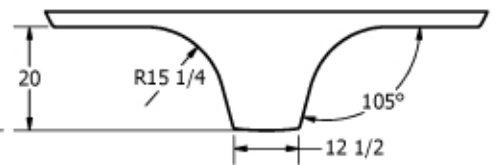
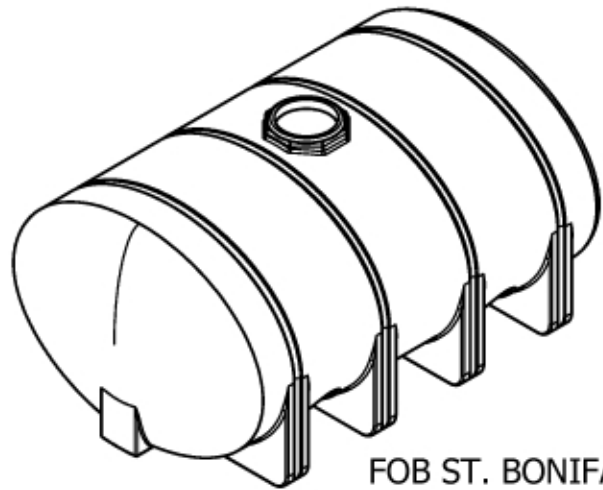



SECTION A-A
SCALE 1 / 24



SECTION B-B
SCALE 1 / 24



FOB ST. BONIFACIUS, MN & FARIFIELD, TX

DRAWN Jerry Paulson	10/12/2007	 MAS PRECISION PLASTICS Real Service. Real Solutions.		
CHECKED		TITLE		
QA		2635 GALLON ELLIPTICAL TANK		
MFG		SIZE	DWG NO	REV
APPROVED Jerry Paulson		B		A
		SCALE: 1/24		SHEET 1 OF 1