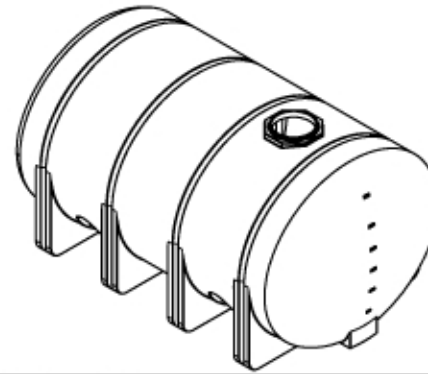



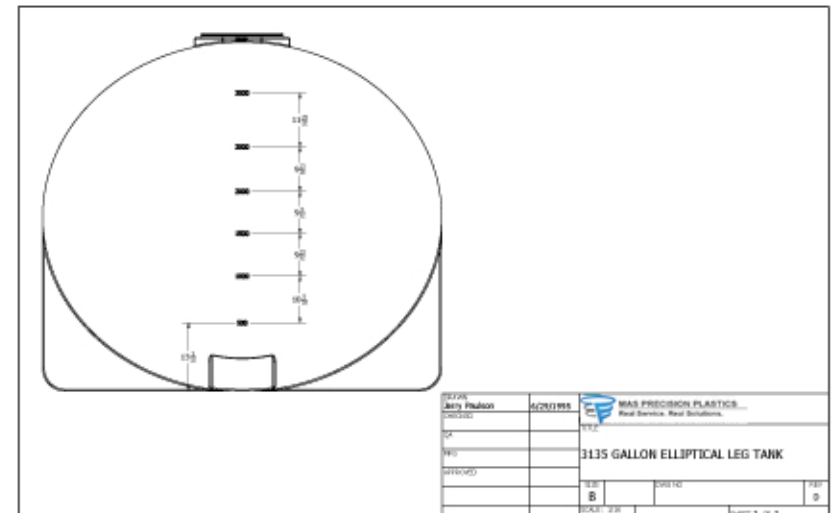
SECTION A-A
SCALE 1:8




REVISION HISTORY			
REV	DESCRIPTION	DATE	AUTHOR
A	SPARGER FLAT REVISED	6/4/2004	
B	WAS 1) 2) 12 3) 137 1/2	11/21/2007	
C	SPARGER FLAT REMOVED	11/12/2008	
D	REDRAWN	8/6/2013	Michael Holden

DRAWN Jerry Paulson	6/29/1995	 MAS PRECISION PLASTICS Real Service. Real Solutions.
CHECKED		
QA		TITLE
MFG		3135 GALLON ELLIPTICAL LEG TANK
APPROVED		SIZE
		B
		DWG NO
		REV
		D
		SCALE: 1/16
		SHEET 1 OF 2

FOB ST. BONIFACIUS, MN SHAWNEE, OK & FAIRFIELD, TX



DRAWN Jerry Paulson	6/29/1995	 MAS PRECISION PLASTICS Real Service. Real Solutions.
CHECKED		
QA		TITLE
MFG		3135 GALLON ELLIPTICAL LEG TANK
APPROVED		SIZE
		B
		DWG NO
		REV
		D
		SCALE: 1/16
		SHEET 2 OF 2