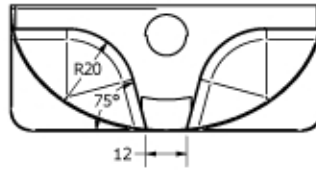
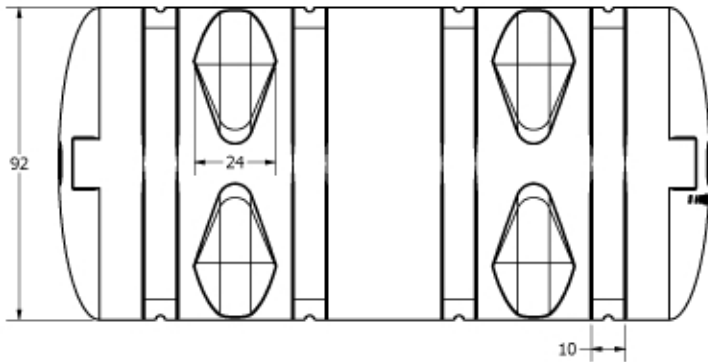
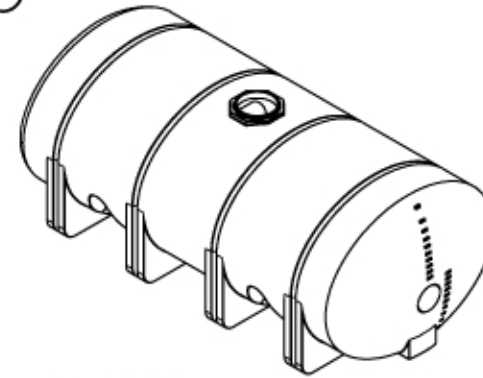



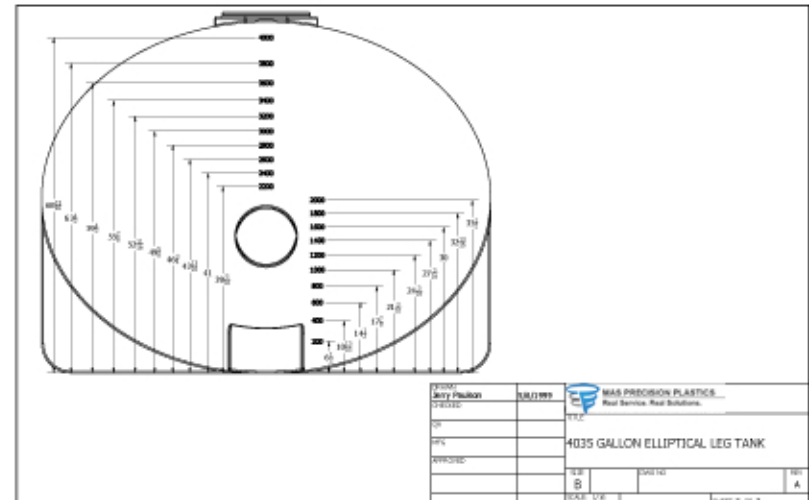
SECTION A-A
SCALE 1:8



SECTION B-B
SCALE 1:30



| REVISION HISTORY | | | |
|------------------------|-------------|---------------------------------|--|
| REV | DESCRIPTION | DATE | AUTHOR |
| A | REDRAWN | 8/6/2013 | Michael Holden |
| DRAWN Jerry Paulson | | 5/6/1999 |  MAS PRECISION PLASTICS Real Service. Real Solutions. |
| CHECKED | | | |
| QA | | TITLE | |
| MFG | | 4035 GALLON ELLIPTICAL LEG TANK | |
| APPROVED | | SIZE | REV |
| | | B | A |
| | | SCALE: 1/16 | SHEET 1 OF 2 |



| | | | |
|-------------|----------|--|-----|
| DATE | 5/6/1999 |  MAS PRECISION PLASTICS Real Service. Real Solutions. | |
| DRAWN | | | |
| QA | | 4035 GALLON ELLIPTICAL LEG TANK | |
| MFG | | | |
| APPROVED | | SIZE | REV |
| | | B | A |
| SCALE: 1/16 | | SHEET 1 OF 2 | |