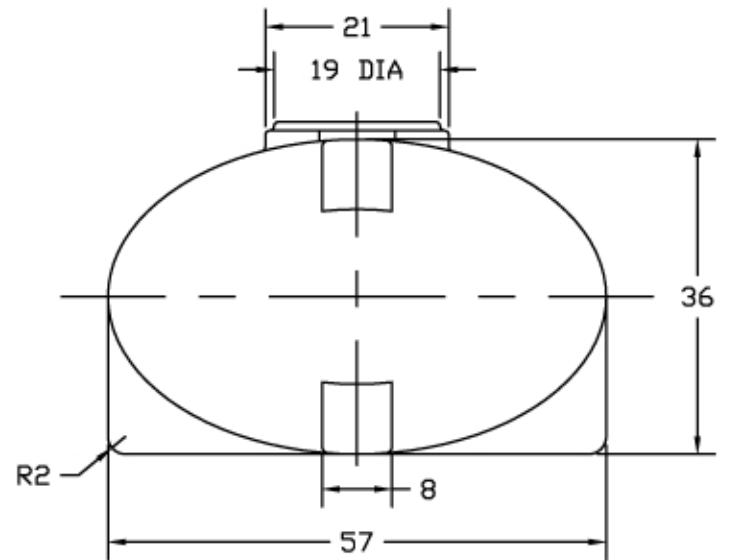
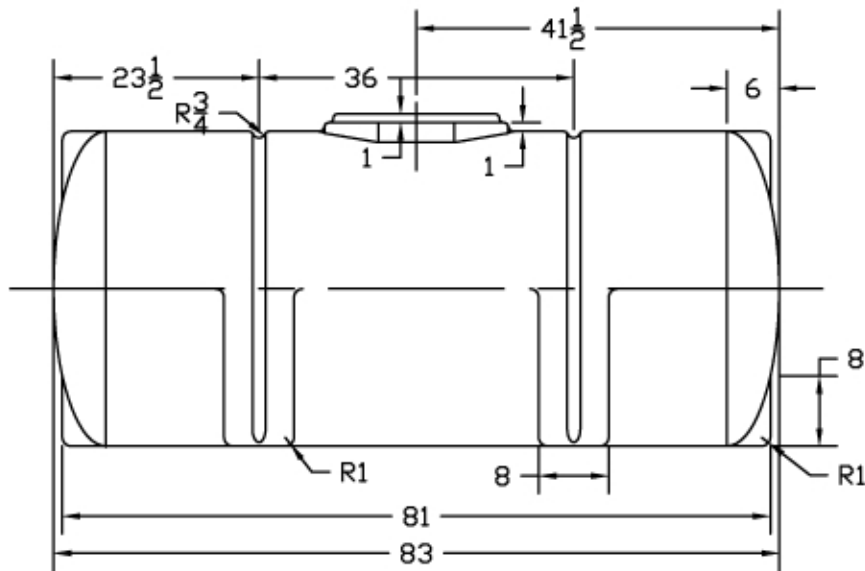



FILLWELL DETAIL  
1/12 SCALE



REVISIONS				
ZONE	REV	DESCRIPTION	DATE	APPROVED

JTP 23FEB06		 <b>MAS PRECISION PLASTICS</b> Real Service. Real Solutions.		
		<b>535 GALLON          ELLIPTICAL LEG TANK</b>		
SIZE B	FSCM NO.	DWG NO. 42353	REV	
SCALE 1/16		SHEET		