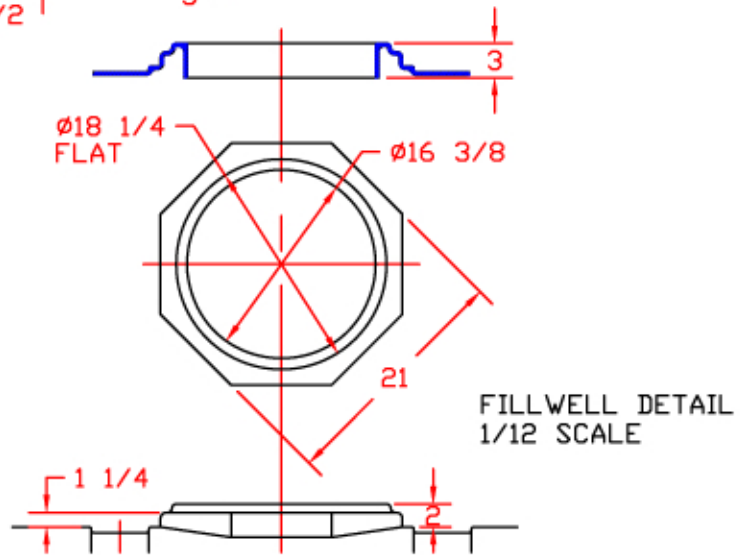
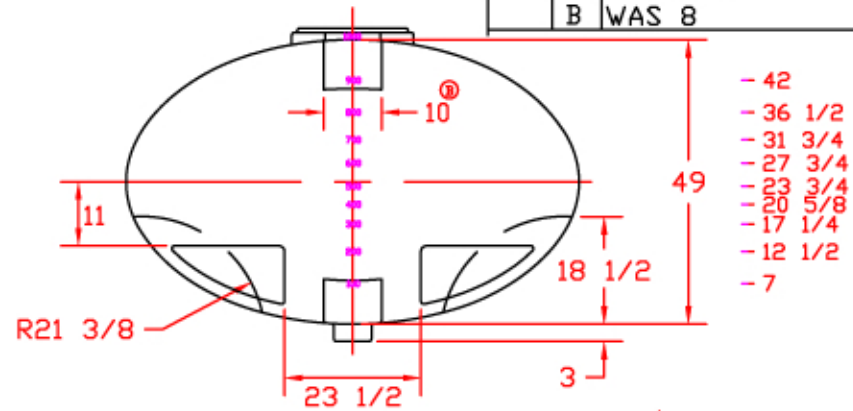
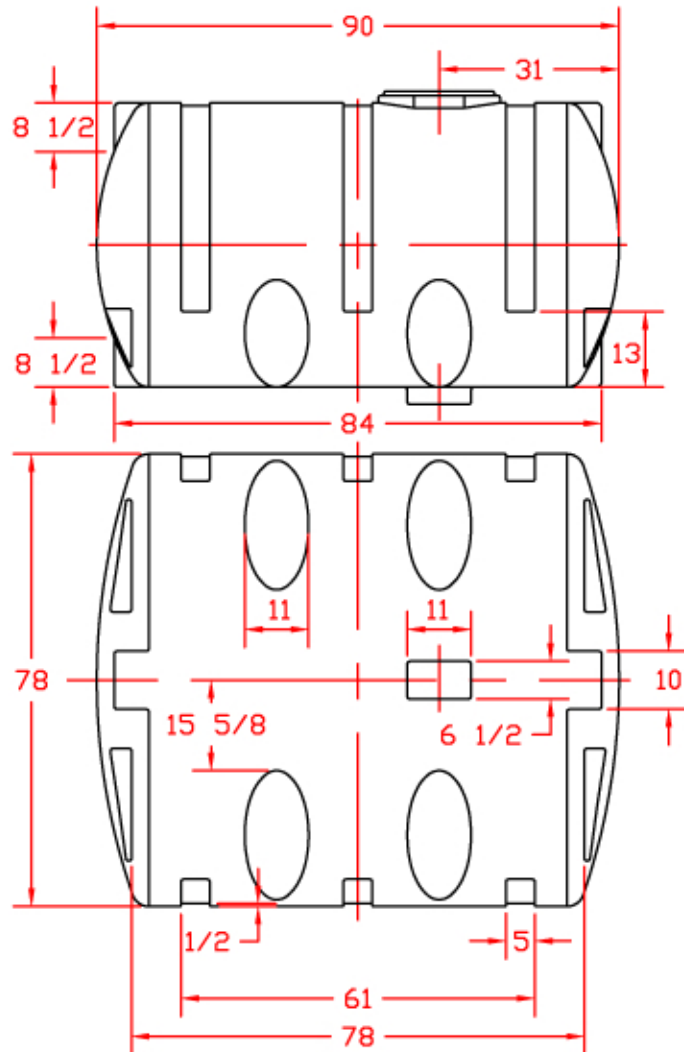


REVISIONS				
ZONE	REV	DESCRIPTION	DATE	APPROVED
	A	REDRAWN	22OCT97	
	B	WAS 8	10MAR16	



		 MAS PRECISION PLASTICS Real Service. Real Solutions.	
		1000 GALLON ELLIPTICAL TANK	
JTP	22OCT97	SIZE B	FSCM NO.
		DWG NO. 	REV B
		SCALE 1/24	SHEET