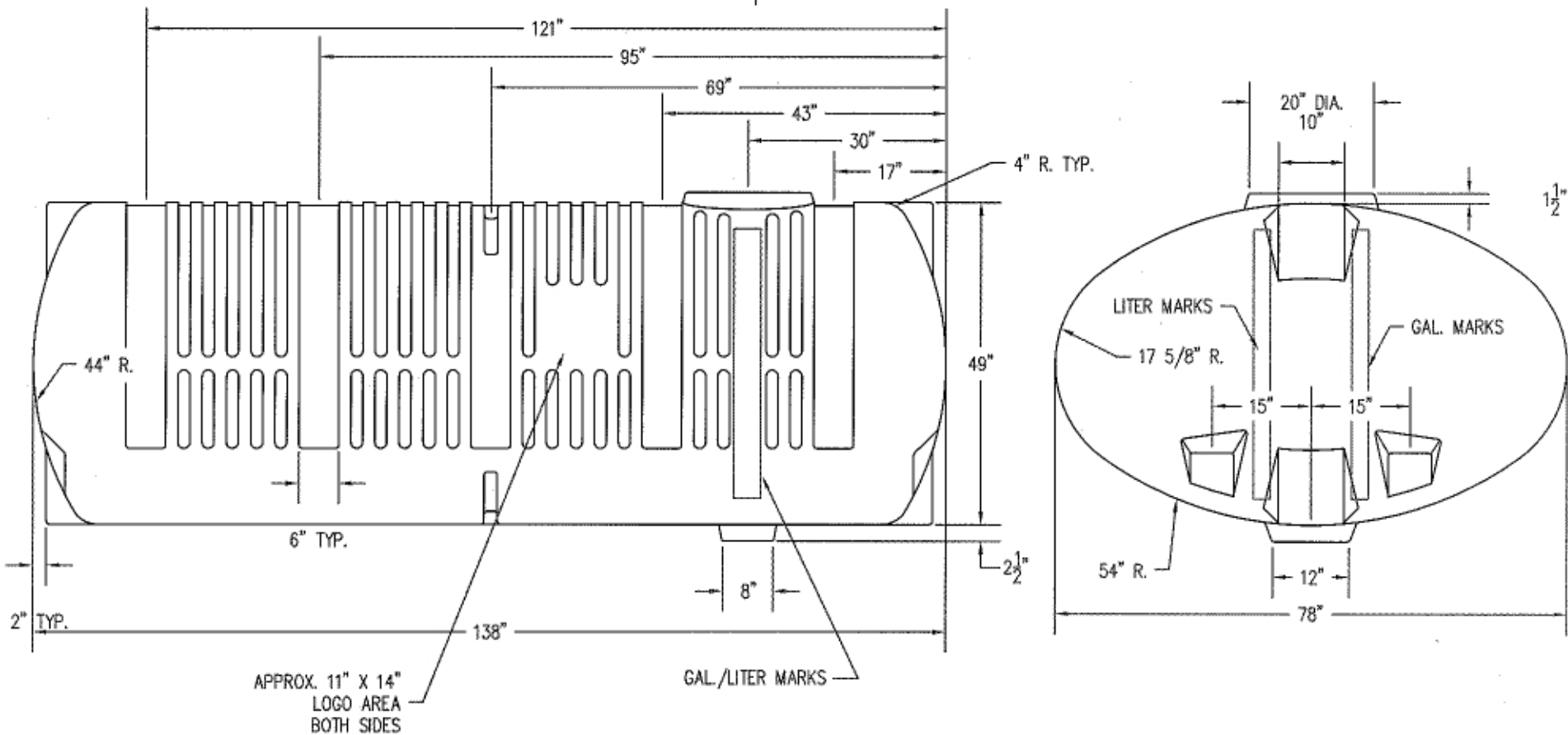



REVISIONS				
ZONE	REV	DESCRIPTION	DATE	APPROVED



JTP 14JUL03		 MAS PRECISION PLASTICS Real Service. Real Solutions.		
		1600 GALLON ELLIPTICAL TANK		
SIZE A	FSCM NO.	DWG NO.	REV	
SCALE 1/24		SHEET		