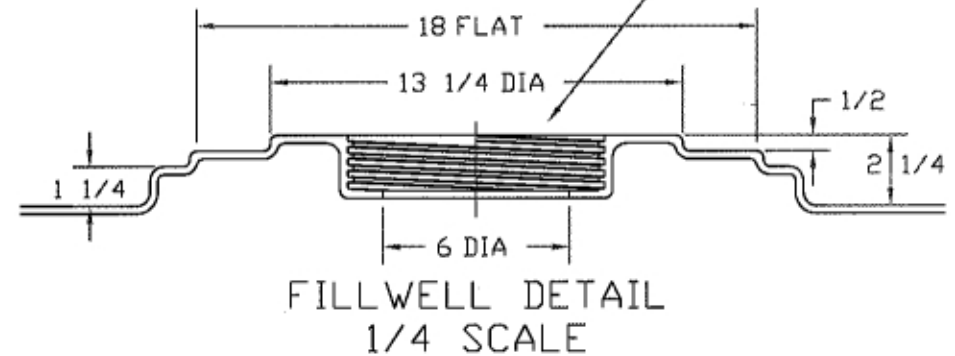
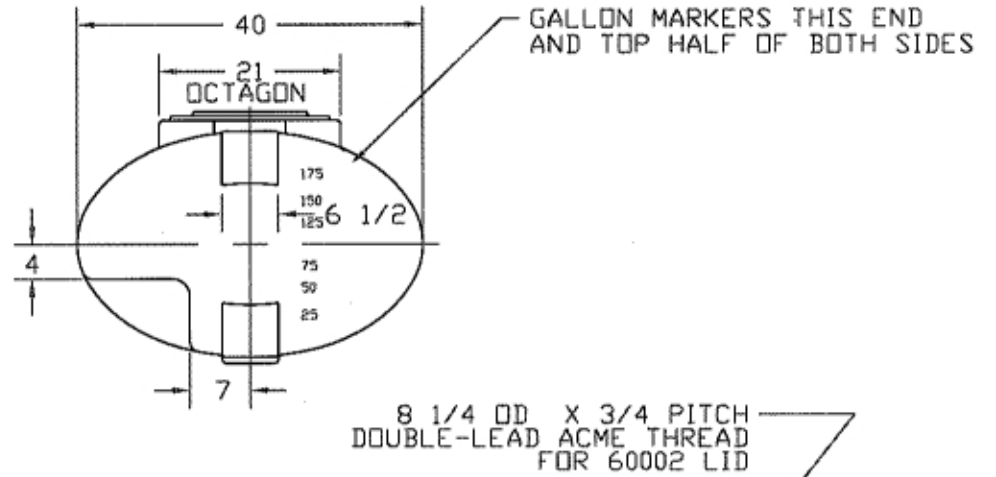
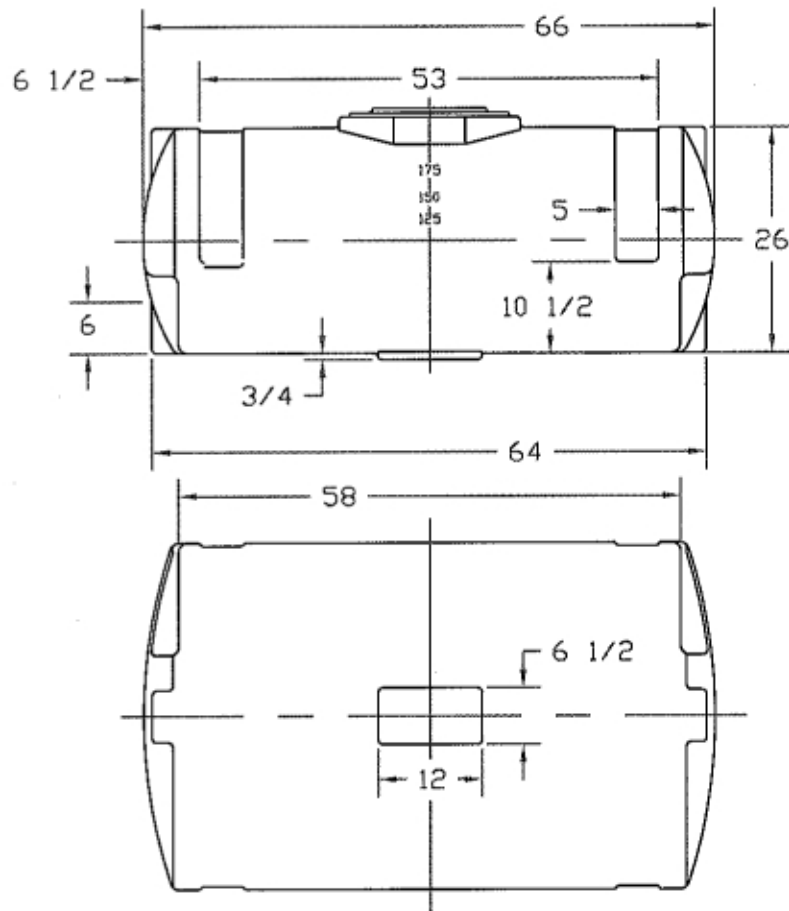



REVISIONS				
ZONE	REV	DESCRIPTION	DATE	APPROVED



JTP 07SEP99		 MAS PRECISION PLASTICS Real Service. Real Solutions.		
		200 GALLON ELLIPTICAL SPRAYER TANK		
SIZE B	FSCM NO.	DWG NO.	REV	
SCALE 1/16		SHEET		