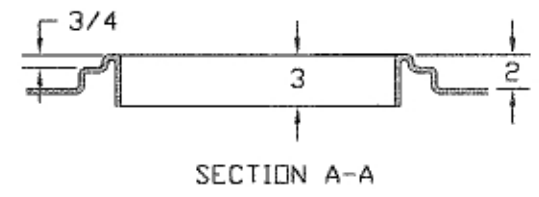
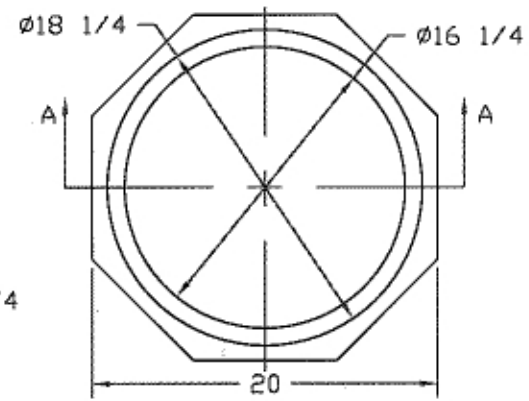
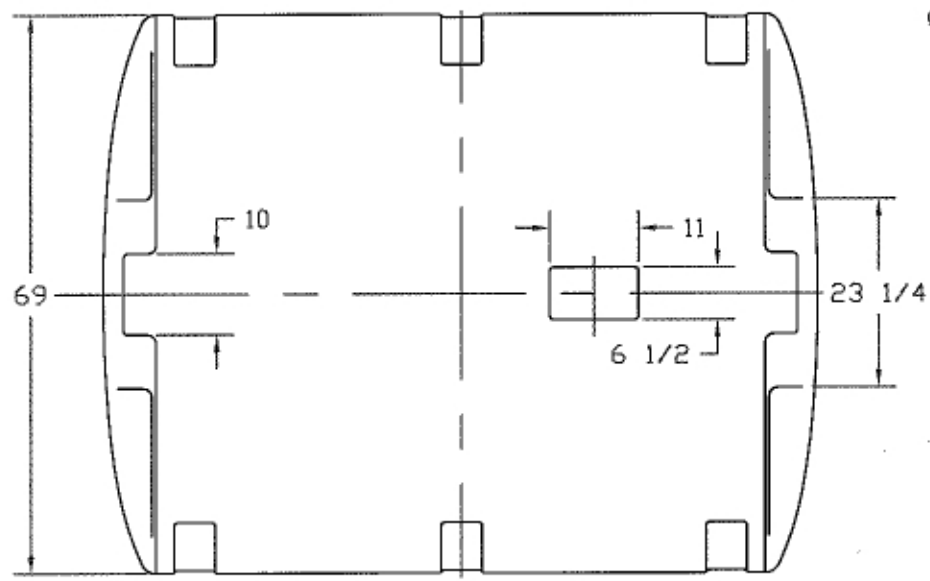
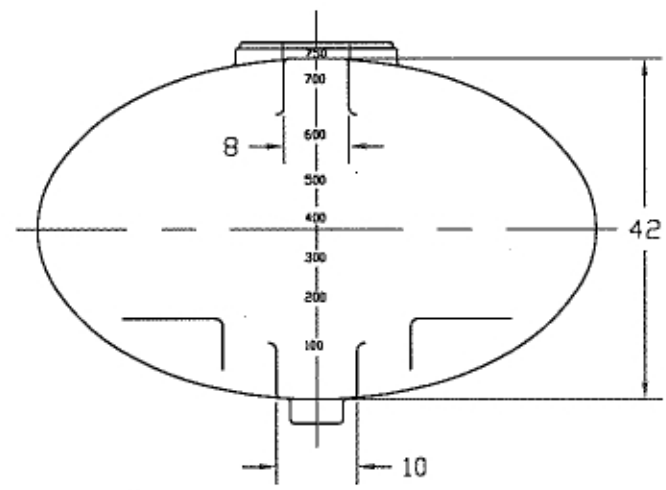
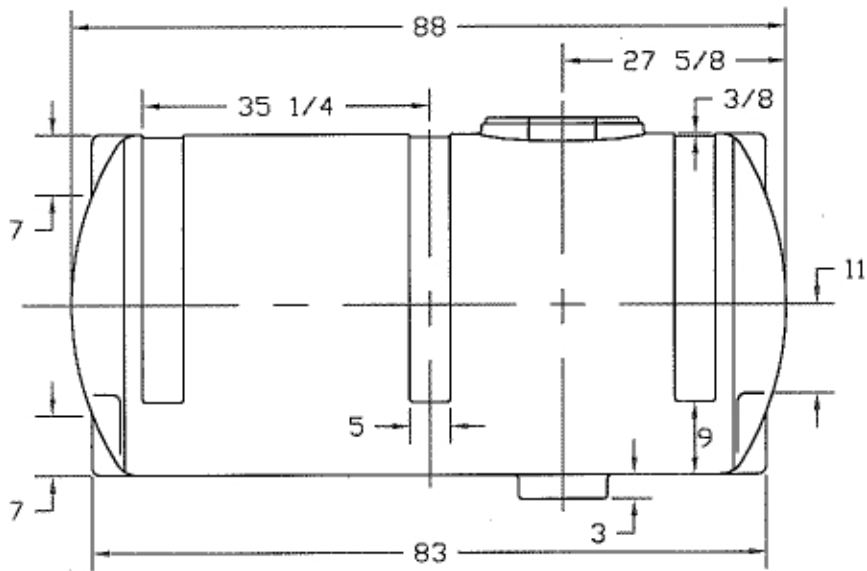


REVISIONS				
ZONE	REV	DESCRIPTION	DATE	APPROVED
	A	REDRAWN	29OCT96	



FILLWELL DETAILS
1/8 SCALE

		 MAS PRECISION PLASTICS Real Service. Real Solutions.	
		750 GALLON ELLIPTICAL TANK	
JTP	29OCT96	SIZE B	FSCM NO. URG. NO. REV
SCALE 1/16		SHEET	