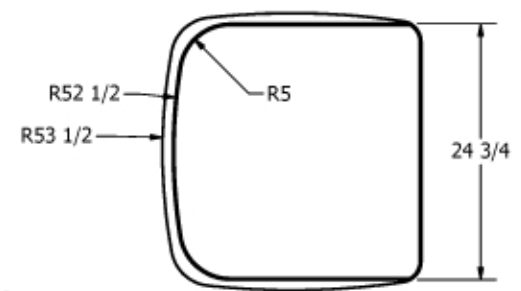
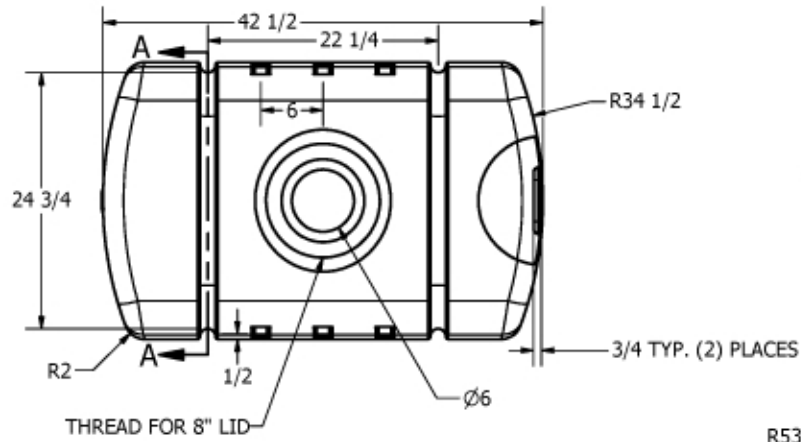
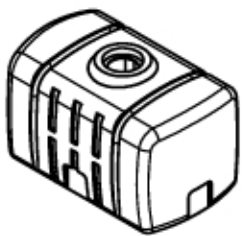
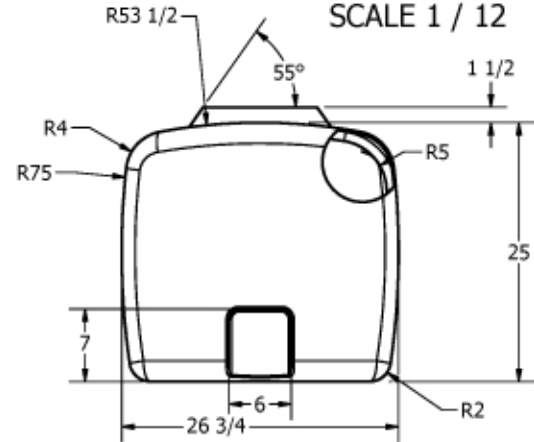
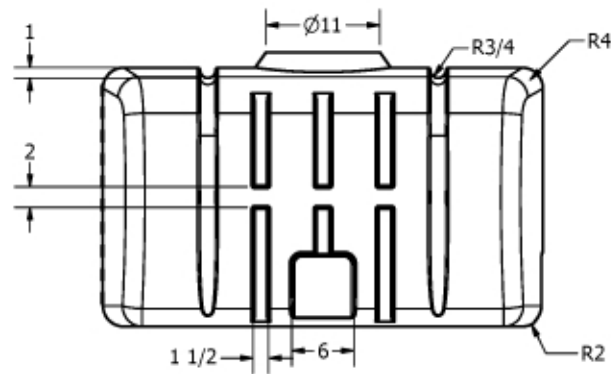


REVISION HISTORY

REV	DATE	AUTH	DESCRIPTION
		Jerry Paulson	



SECTION A-A
SCALE 1 / 12



DRAWN	Jerry Paulson	7/19/2006
CHECKED		
QA		
MFG		
APPROVED		



MAS PRECISION PLASTICS
Real Service. Real Solutions.

TITLE		
100 GALLON FLAT BOTTOM UTILITY TANK		
SIZE	DWG NO	REV
B		
SCALE: 1/12	SHEET 1 OF 1	