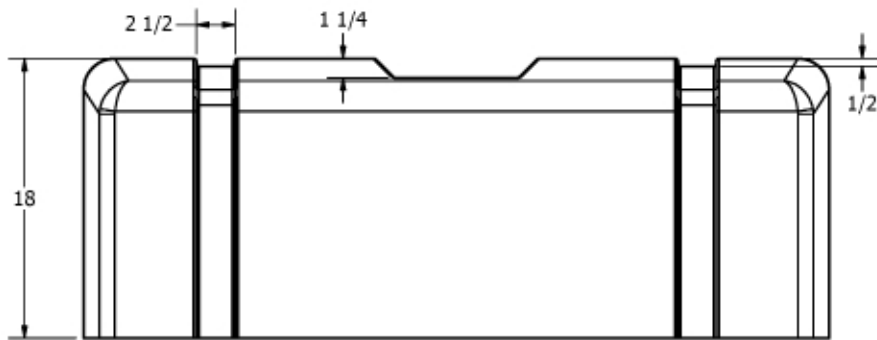
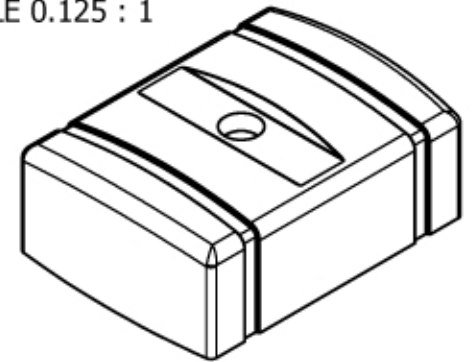



SECTION A-A  
SCALE 0.125 : 1



DRAWN Jerry Paulson	11/21/2008	 <b>MAS PRECISION PLASTICS</b> Real Service. Real Solutions.	
CHECKED		TITLE	
QA		110 GALLON LOW PROFILE UTILITY TANK	
MFG		SIZE	DWG NO
APPROVED		B	REV
SCALE: 1/8		SHEET 1 OF 1	