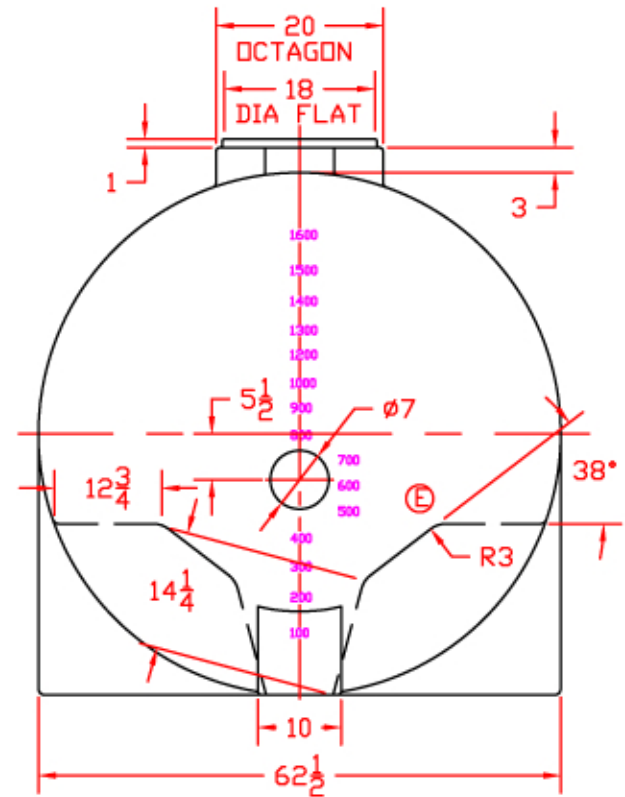
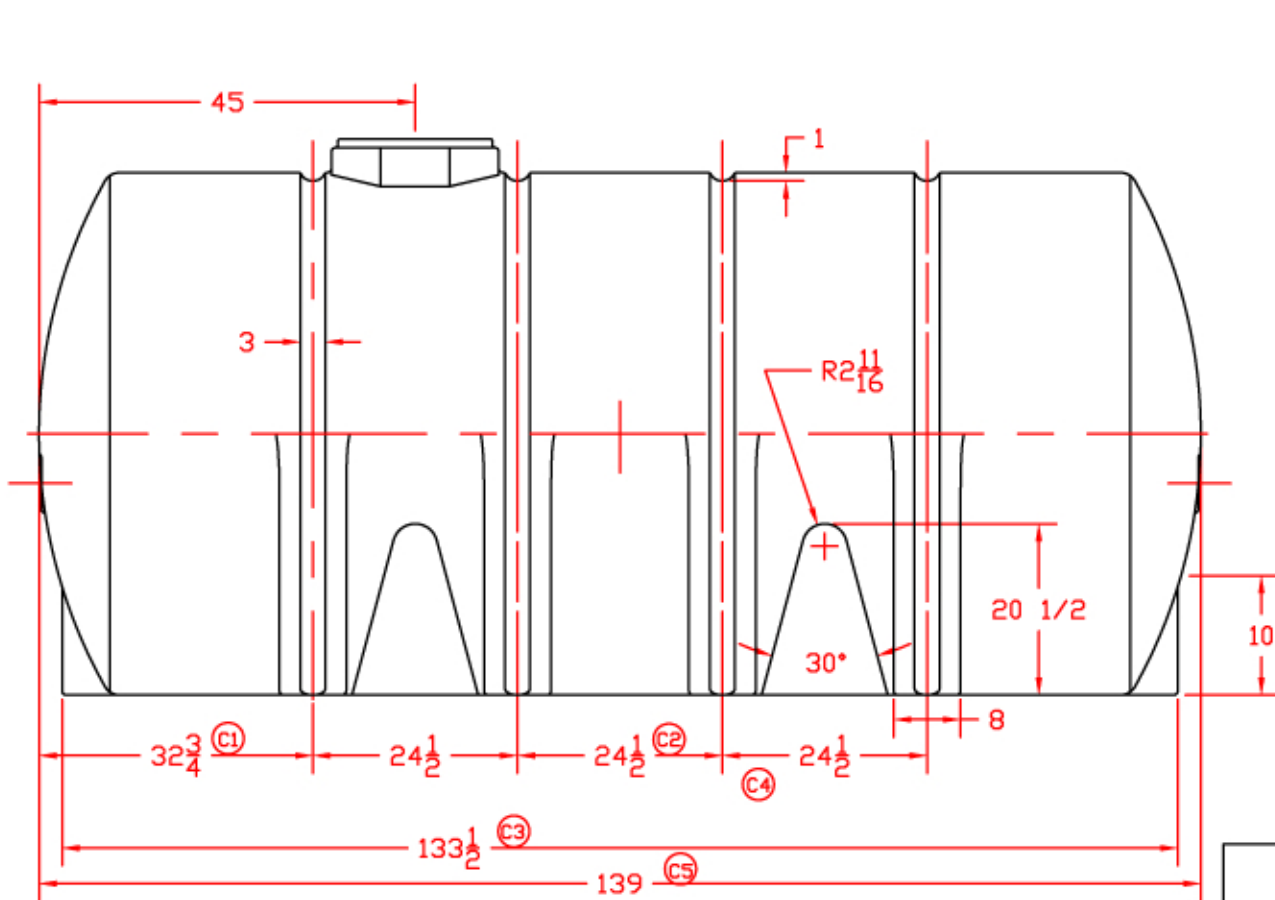


REVISIONS				
ZONE	REV	DESCRIPTION	DATE	APPROVED
	D	SPARGER FLATS REV'D.	17AUG04	
	E	BAFFLES MODIFIED	11OCT11	

REVISIONS				
ZONE	REV	DESCRIPTION	DATE	APPROVED
	B	REDDRAWN	14AUG97	
	C	DIMS MATCHED TO PROD WAS 1)32, 2)21, 3)129-1/4, 4)131, 5)134	23OCT01	



JTP 14AUG97		 MAS PRECISION PLASTICS Real Service. Real Solutions.		REV E
		SIZE B	FSCM NO.	
SCALE 1/16		SHEET		

1625 GALLON HORIZONTAL LEG TANK