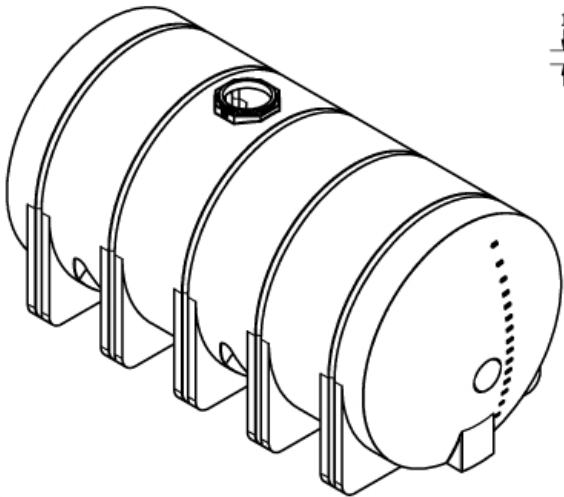
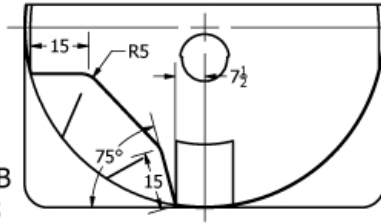

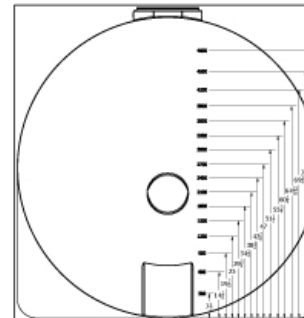


SECTION B-B
SCALE 1:28



REVISION HISTORY			
REV	DESCRIPTION	DATE	AUTHOR
A	REDRAWN	7/17/2013	Michael Holden
DRAWN	Jerry Paulson	8/4/2003	 MAS PRECISION PLASTICS Real Service. Real Solutions.
CHECKED			
QA			
MFG			
APPROVED			
TITLE		5025 GALLON HORIZONTAL LEG TANK	
SIZE	B	DWG NO	REV A
SCALE: 1/16		SHEET 1 OF 2	



REVISION HISTORY			
REV	DESCRIPTION	DATE	AUTHOR
A	REDRAWN	7/17/2013	Michael Holden
DRAWN	Jerry Paulson	8/4/2003	 MAS PRECISION PLASTICS Real Service. Real Solutions.
CHECKED			
QA			
MFG			
APPROVED			
TITLE		5025 GALLON HORIZONTAL LEG TANK	
SIZE	B	DWG NO	REV A
SCALE: 1/16		SHEET 1 OF 2	