
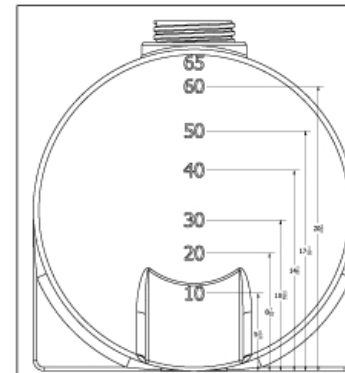


REVISION HISTORY			
REV	DESCRIPTION	DATE	AUTHOR
A	REDRAWN	1/7/1997	
B	LID THREAD REVISED	2/9/2000	
C	REDRAWN	7/22/2013	Michael Holden

DRAWN Jerry Paulson	1/7/1997	 <b>MAS PRECISION PLASTICS</b> Real Service. Real Solutions.	
CHECKED			
QA		TITLE	
MFG		<b>65 GALLON HORIZONTAL TANK</b>	
APPROVED			
	SIZE	DWG NO	REV
	<b>B</b>		<b>C</b>
	SCALE: 1/16		SHEET 1 OF 2



GALLON MARKS ON BOTH ENDS

DATE	1/7/1997	 <b>MAS PRECISION PLASTICS</b> Real Service. Real Solutions.	
DRAWN	Jerry Paulson		
QA		TITLE	
MFG		<b>65 GALLON HORIZONTAL TANK</b>	
APPROVED			
	SIZE	DWG NO	REV
	<b>B</b>		<b>C</b>
	SCALE: 1/16		SHEET 1 OF 2