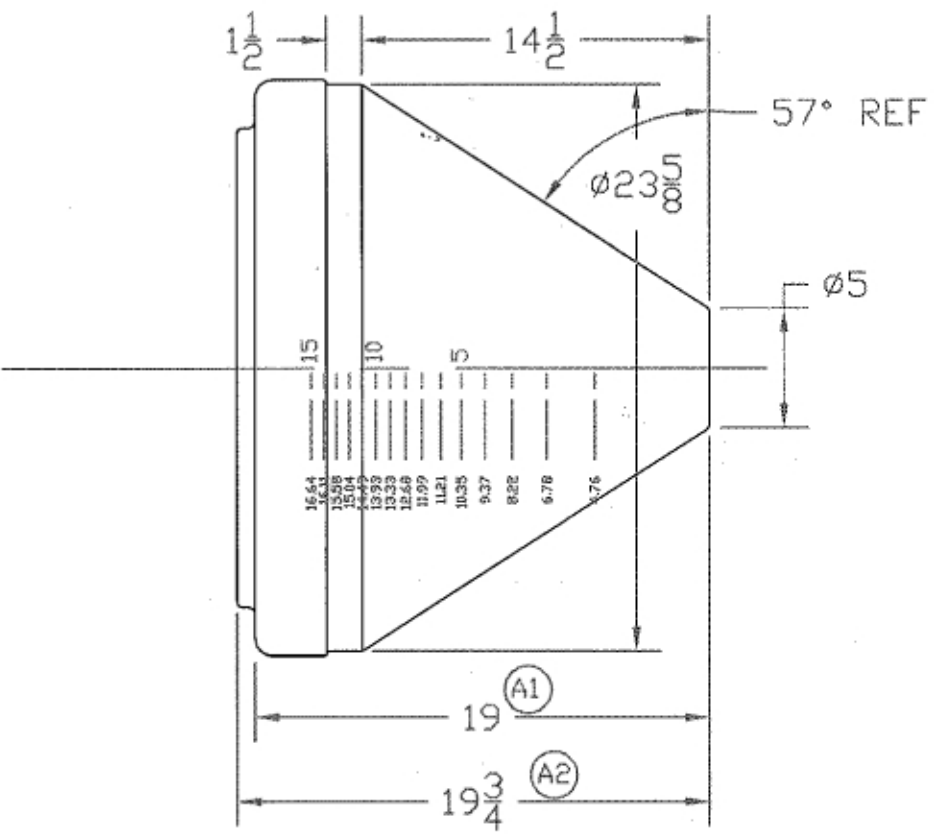
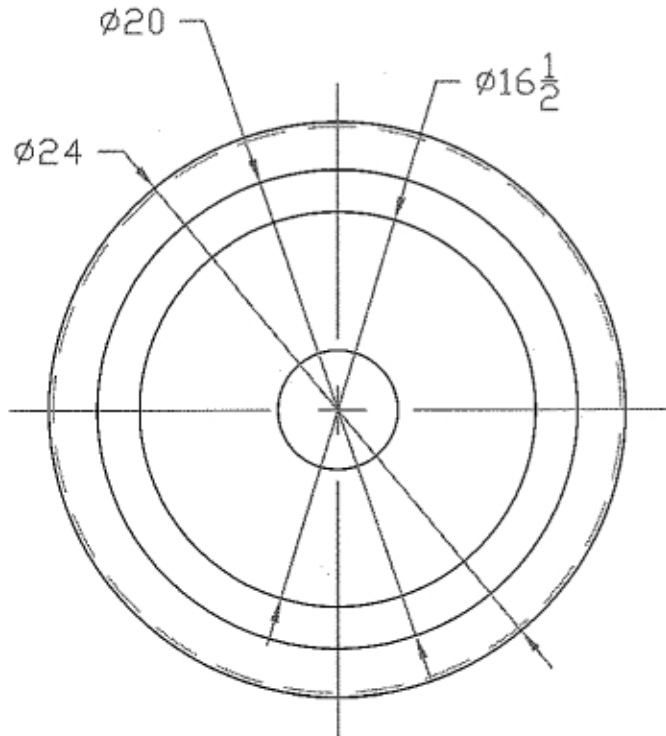


REVISIONS				
ZONE	REV	DESCRIPTION	DATE	APPROVED
	A	WAS ① 18 ② 18 3/4	11NOV04	



		 <b>MAS PRECISION PLASTICS</b> Real Service. Real Solutions.	
15 GALLON INDUCTOR TANK x 24 DIA			
JTP	21MAY04	SIZE A	FSCM NO.
		SCALE 1/8	DWG NO.
			REV A
			SHEET