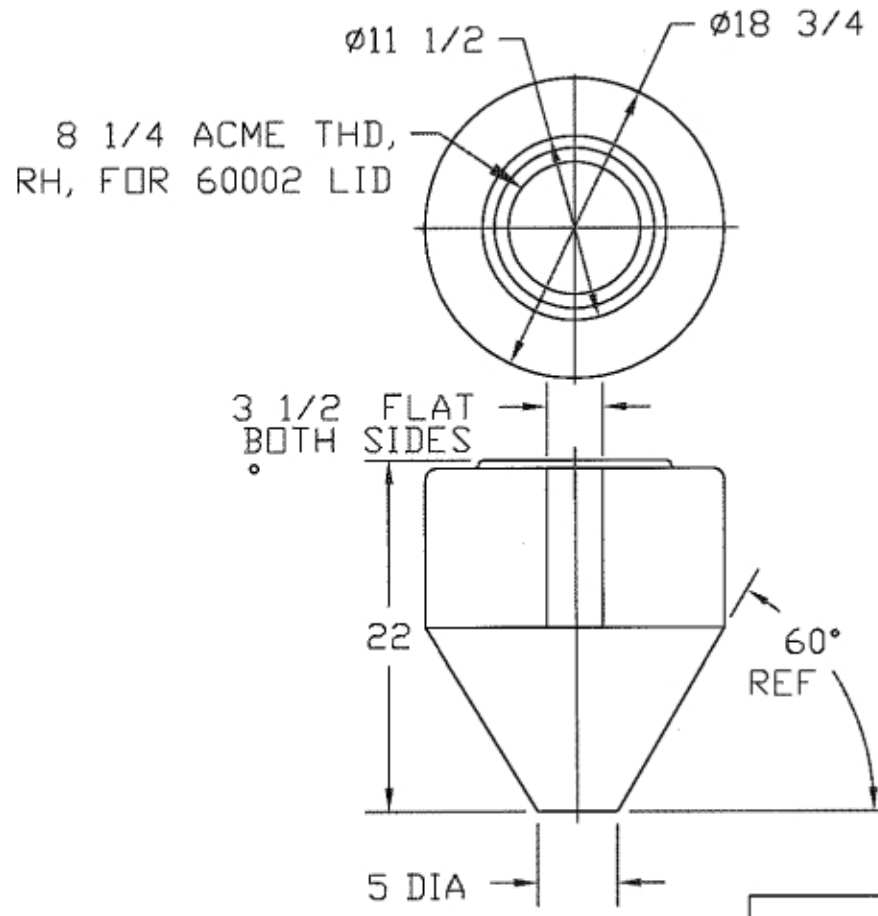
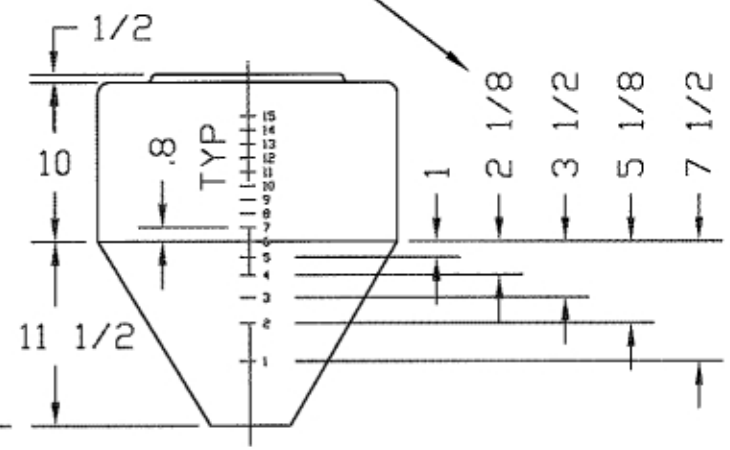



| REVISIONS | | | | |
|-----------|-----|-------------|---------|----------|
| ZONE | REV | DESCRIPTION | DATE | APPROVED |
| | B | REDRAWN | 18AUG97 | |



NOTE: THESE DIMENSIONS ARE MEASURED ALONG THE SURFACE. GALLON MARKS ON ONE SIDE ONLY.



| | | | | | |
|-----|---------|--|----------|---------|----------|
| | |  MAS PRECISION PLASTICS Real Service. Real Solutions. | | | |
| | | <h1>15 GALLON INDUCTOR TANK</h1> | | | |
| JTP | 18AUG97 | SIZE A | FSCM NO. | DWG NO. | REV B |
| | | SCALE 1/12 | | | SHEET |