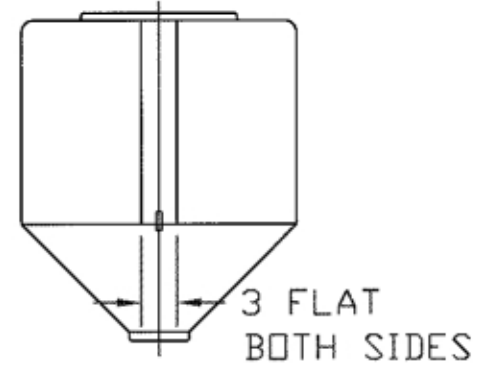
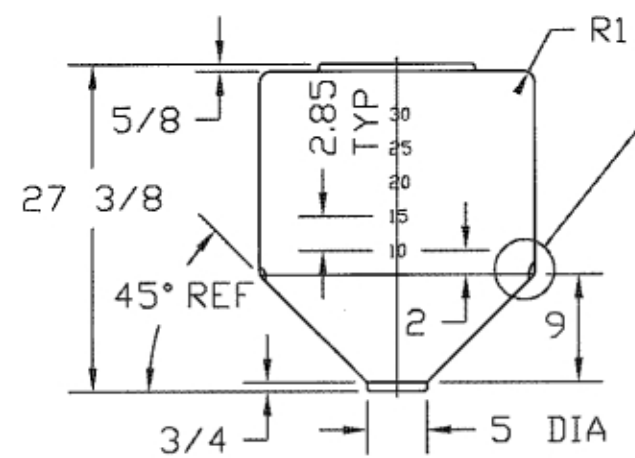
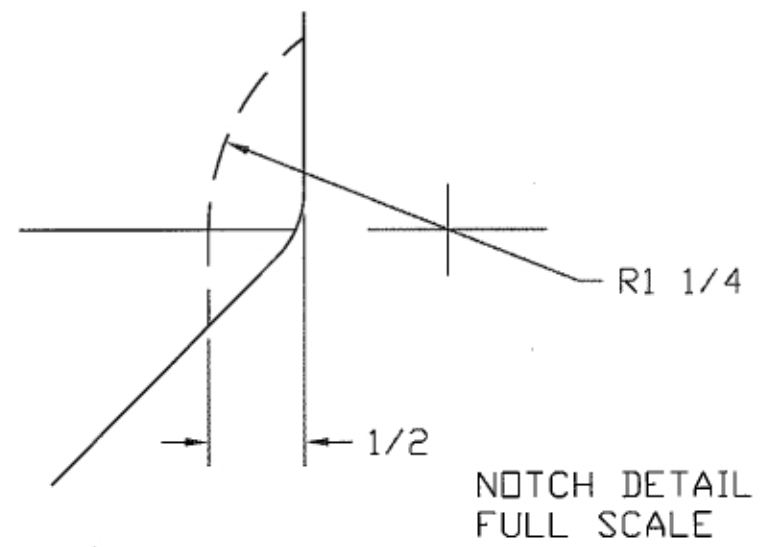
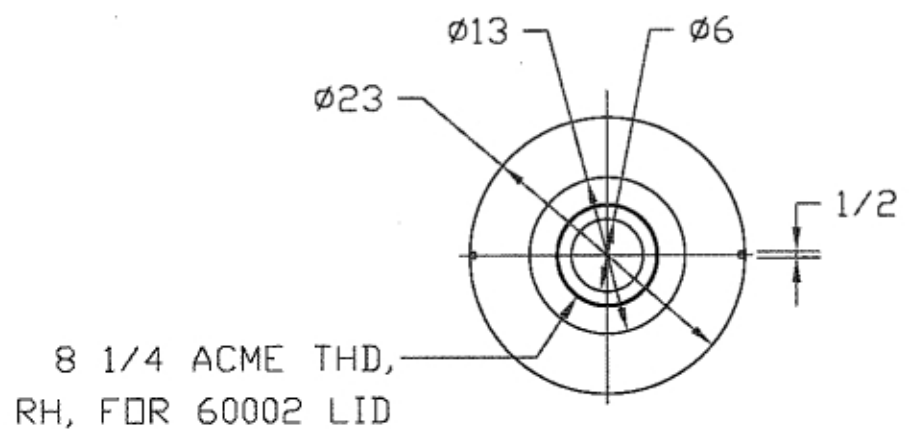


REVISIONS				
ZONE	REV	DESCRIPTION	DATE	APPROVED
	A	REDRAWN	18AUG97	



 **MAS PRECISION PLASTICS**
Real Service. Real Solutions.

35 GALLON INDUCTOR TANK

JTP	18AUG97	SIZE A	FSCM NO.	DWG NO.	REV A
SCALE 1/16			SHEET		