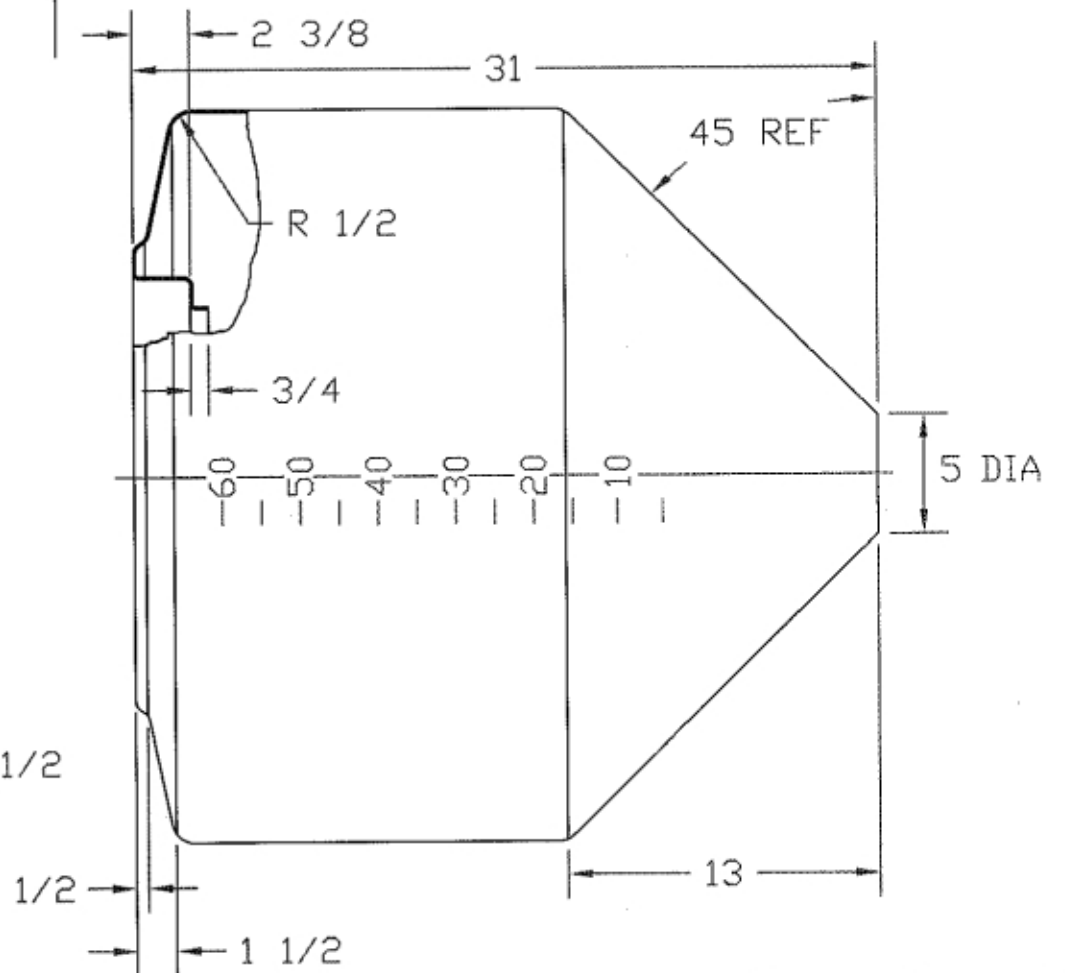


REVISIONS				
ZONE	REV	DESCRIPTION	DATE	APPROVED



MAS PRECISION PLASTICS
Real Service. Real Solutions.

60 GALLON INDUCTOR TANK

JTP	19JUL96	SIZE A	FSCM NO.	DWG NO.	REV
		SCALE 1/8			SHEET