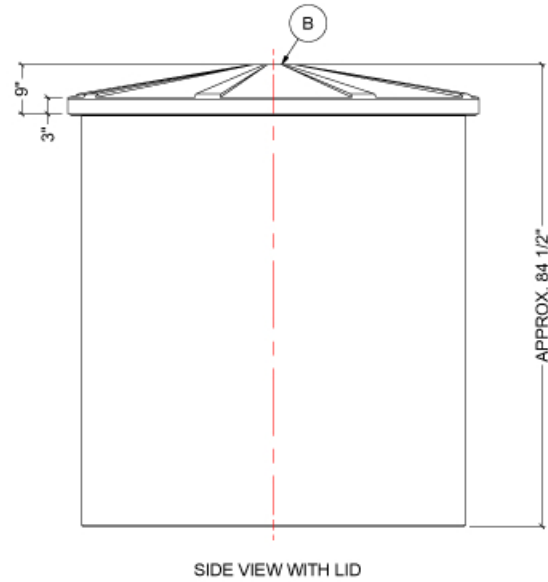
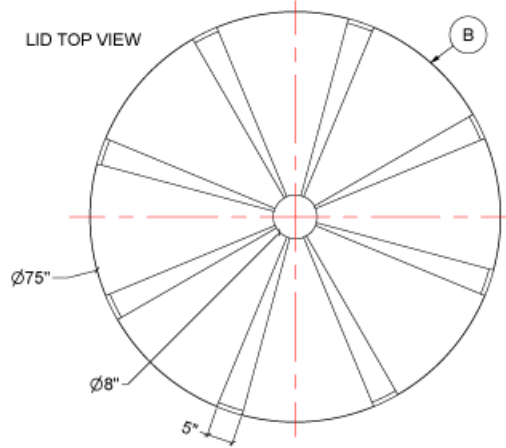
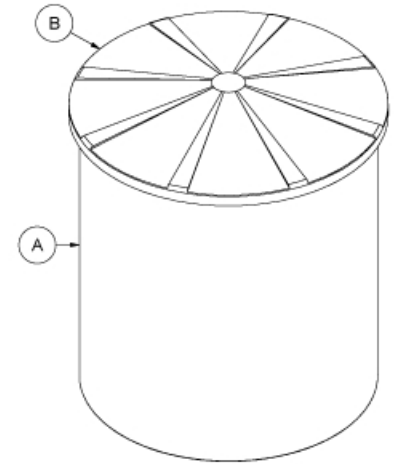



NOTES:

1. TANK IS MANUFACTURED TO ASTM-D-1998 STANDARD.
2. ALL DIMENSIONS ARE APPROXIMATE.



| MATERIALS LIST | | |
|----------------|-----------------------|-------|
| ITEMS | DESCRIPTION | NOTES |
| A | OT-1000 OPEN TOP TANK | |
| B | LID FOR OT-1000 | |
| | | |
| | | |
| | | |
| | | |
| | | |



| REV | DATE | DESCRIPTION | BY | APPD | REVD |
|---|------|--|----|----------|------|
| REVISIONS | | | | | |
| CUSTOMER | | | | | |
| TITLE | | ACO JOB NO. | | | |
| 1000 IG OPEN TOP TANK | | PURCHASE ORDER NO. | | | |
| | | PURCHASER'S EQUIP. NO. | | | |
| THIS DRAWING IS THE PROPERTY OF ROTOPLAST INC. AND SHALL NOT BE COPIED OR TRANSFERRED WITHOUT THE WRITTEN CONSENT OF ROTOPLAST INC. | | | | | |
| ENGINEERS SEAL | |  MAS PRECISION PLASTICS Real Service. Real Solutions. | | | |
| | | DESIGNED | | CHECKED | WM |
| | | APPROVED | | | |
| | | SCALE | | N.T.S. | |
| | | DATE | | 09-01-16 | |
| DWG No | | OT-1000-L | | | REV |
| | | | | | 0 |