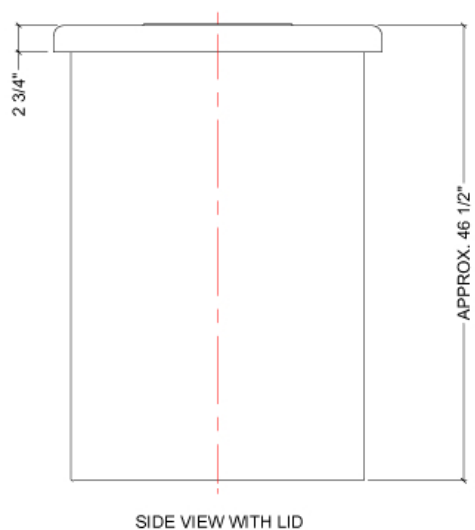
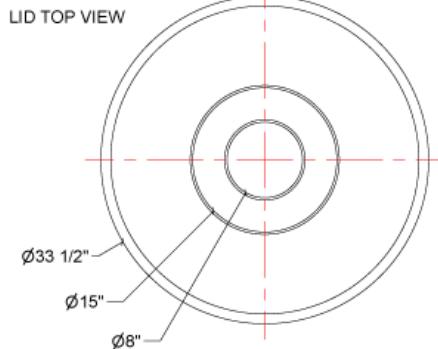
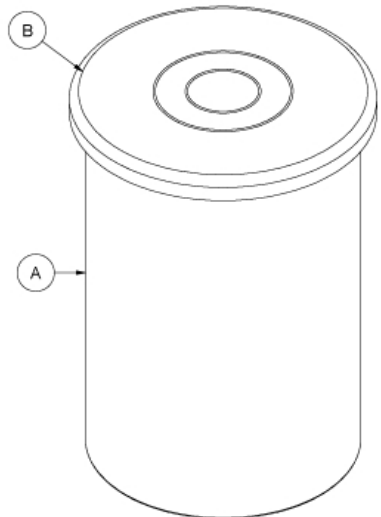



NOTES:

1. TANK IS MANUFACTURED TO ASTM-D-1998 STANDARD.
2. ALL DIMENSIONS ARE APPROXIMATE.



| MATERIALS LIST | | |
|----------------|----------------------|-------|
| ITEMS | DESCRIPTION | NOTES |
| A | OT-125 OPEN TOP TANK | |
| B | LID FOR OT-125 | |
| | | |
| | | |
| | | |
| | | |
| | | |



| REV | DATE | DESCRIPTION | BY | APPD | REVD | |
|---|------|--|----|----------|------|---|
| REVISIONS | | | | | | |
| CUSTOMER | | | | | | |
| TITLE | | ACO JOB NO: | | | | |
| 125 IG OPEN TOP TANK | | PURCHASE ORDER NO: | | | | |
| | | PURCHASER'S EQUIP. NO: | | | | |
| THIS DRAWING IS THE PROPERTY OF ROTOPLAST INC. AND SHALL NOT BE COPIED OR TRANSFERRED WITHOUT THE WRITTEN CONSENT OF ROTOPLAST INC. | | | | | | |
| ENGINEERS SEAL | |  MAS PRECISION PLASTICS Real Service. Real Solutions. | | | | |
| | | DESIGNED | | WM | | |
| | | DRAWN | | | | |
| | | CHECKED | | | | |
| | | APPROVED | | | | |
| | | SCALE | | N.T.S. | | |
| | | DATE | | 08-03-16 | | |
| DWG No | | OT-125-L | | | REV | 0 |