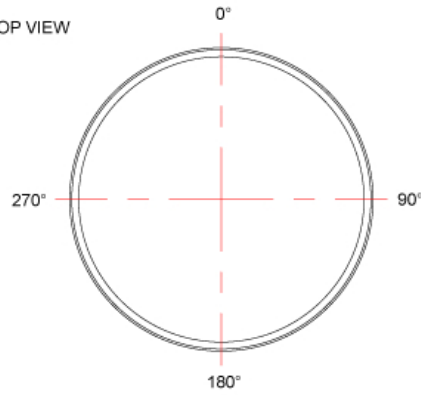


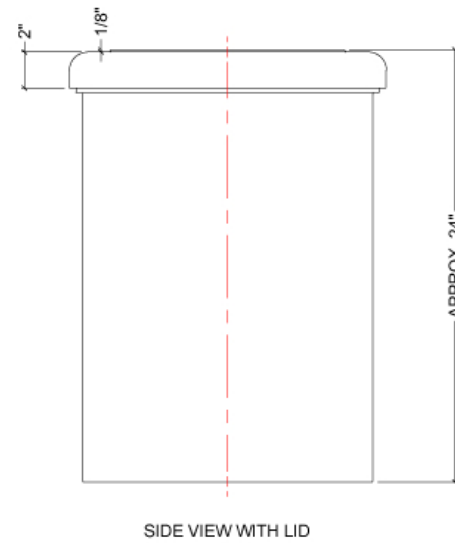
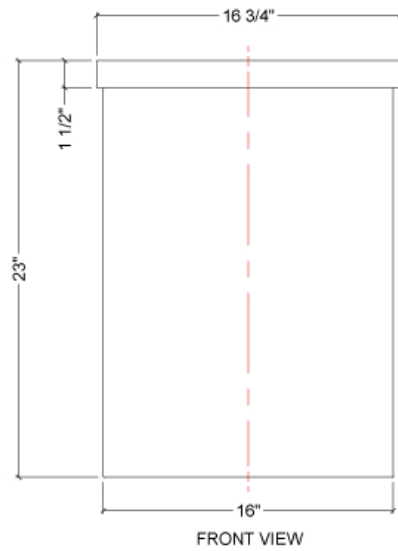
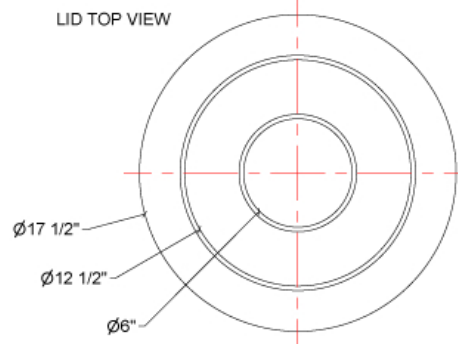
TOP VIEW



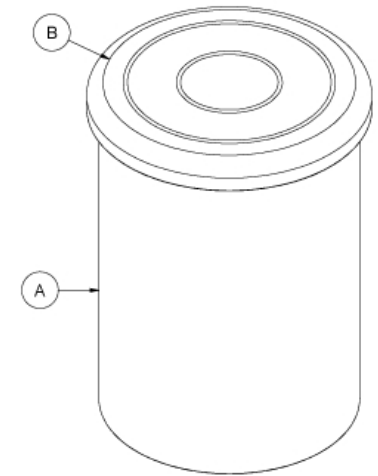
NOTES:


1. TANK IS MANUFACTURED TO ASTM-D-1998 STANDARD.
2. ALL DIMENSIONS ARE APPROXIMATE.

LID TOP VIEW



MATERIALS LIST		
ITEMS	DESCRIPTION	NOTES
A	OT-15 OPEN TOP TANK	
B	LID FOR OT-15	



REV	DATE	DESCRIPTION	BY	APPD	REVD	
REVISIONS						
CUSTOMER						
TITLE		ACO JOB NO:				
15 IG OPEN TOP TANK		PURCHASE ORDER NO:				
		PURCHASER'S EQUIP. NO:				
THIS DRAWING IS THE PROPERTY OF ROTOPLAST INC. AND SHALL NOT BE COPIED OR TRANSFERRED WITHOUT THE WRITTEN CONSENT OF ROTOPLAST INC.						
ENGINEERS SEAL		 <b>MAS PRECISION PLASTICS</b> Real Service. Real Solutions.				
		DESIGNED		WM		
		DRAWN				
		CHECKED				
		APPROVED				
		SCALE		N.T.S.		
		DATE		03-09-16		
DWG No		OT-15-L			REV	0