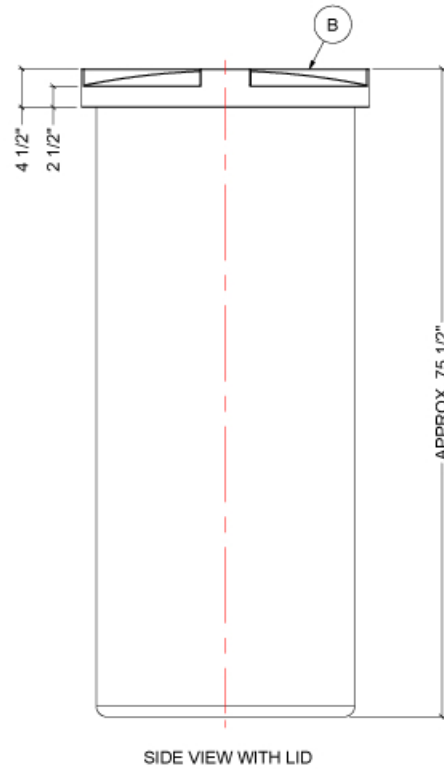
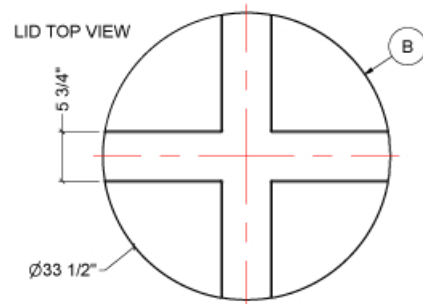
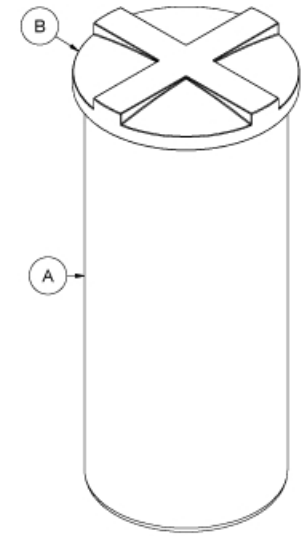



NOTES:

1. TANK IS MANUFACTURED TO ASTM-D-1998 STANDARD.
2. ALL DIMENSIONS ARE APPROXIMATE.



MATERIALS LIST		
ITEMS	DESCRIPTION	NOTES
A	OT-178 OPEN TOP TANK	
B	HDPE LID FOR OT-178	



REV	DATE	DESCRIPTION	BY	APPD	REVD
REVISIONS					
CUSTOMER					
TITLE		ACD JOB NO.			
178 IG OPEN TOP TANK		PURCHASE ORDER NO.			
		PURCHASER'S EQUIP. NO.			
THIS DRAWING IS THE PROPERTY OF ROTOPLAST INC. AND SHALL NOT BE COPIED OR TRANSFERRED WITHOUT THE WRITTEN CONSENT OF ROTOPLAST INC.					
ENGINEERS SEAL		 MAS PRECISION PLASTICS Real Service. Real Solutions.			
<small>PICKERING, ONTARIO, CANADA</small> ACD CONTAINER SYSTEMS DIVISION OF ROTOPLAST INC. 784 MCKAY RD. PICKERING, ONTARIO, CANADA TEL. 905-663-8222 FAX 905-663-2969					
				DESIGNED	WM
				DRAWN	
				CHECKED	
				APPROVED	
				SCALE	N.T.S.
				DATE	09-03-16
DWG No. OT-178-L					REV 0