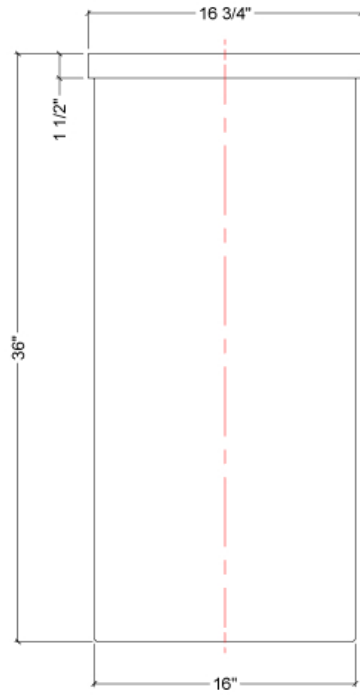
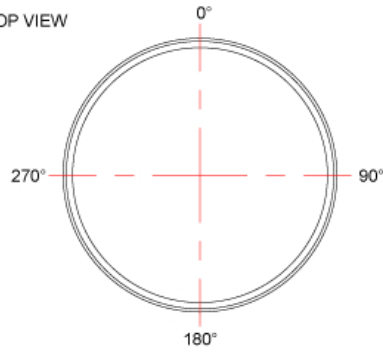


TOP VIEW

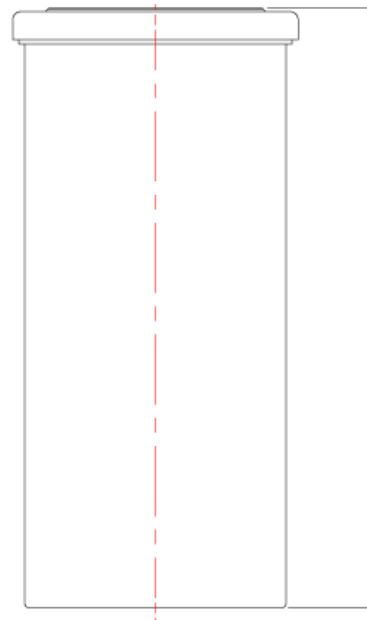
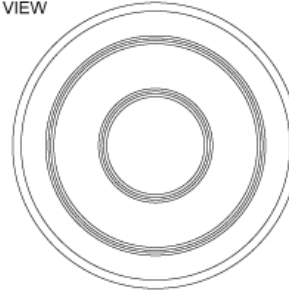


FRONT VIEW

NOTES:

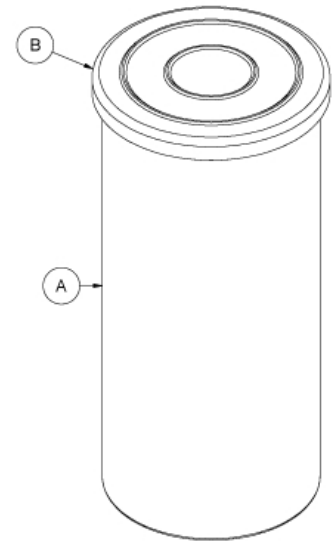
1. TANK IS MANUFACTURED TO ASTM-D-1998 STANDARD.
2. ALL DIMENSIONS ARE APPROXIMATE.


LID TOP VIEW



SIDE VIEW WITH LID

| MATERIALS LIST |                     |       |
|----------------|---------------------|-------|
| ITEMS          | DESCRIPTION         | NOTES |
| A              | OT-25 OPEN TOP TANK |       |
| B              | LID FOR OT-25       |       |
|                |                     |       |
|                |                     |       |
|                |                     |       |
|                |                     |       |
|                |                     |       |
|                |                     |       |



| REV   | DATE | DESCRIPTION  | BY | APPD | REVD     |
|---|------|--|----|------|----------|
| REVISIONS   |      |  |    |      |          |
| CUSTOMER  |      |  |    |      |          |
| TITLE   |      | ACC JOB NO:  |    |      |          |
| 25 IG OPEN TOP TANK   |      | PURCHASE ORDER NO:   |    |      |          |
|   |      | PURCHASER'S EQUIP. NO:   |    |      |          |
| THIS DRAWING IS THE PROPERTY OF ROTOPLAST INC. AND SHALL NOT BE COPIED OR TRANSFERRED WITHOUT THE WRITTEN CONSENT OF ROTOPLAST INC. |      |  |    |      |          |
| ENGINEERS SEAL  |      |  <b>MAS PRECISION PLASTICS</b><br>Real Service. Real Solutions. |    |      |          |
|   |      | DESIGNED   |    |      |          |
|   |      | DRAWN  |    |      | WM       |
|   |      | CHECKED  |    |      |          |
|   |      | APPROVED   |    |      |          |
|   |      | SCALE  |    |      | N.T.S.   |
|   |      | DATE   |    |      | 03-03-16 |
| DWD No  |      | OT-25-L  |    |      | REV 0    |