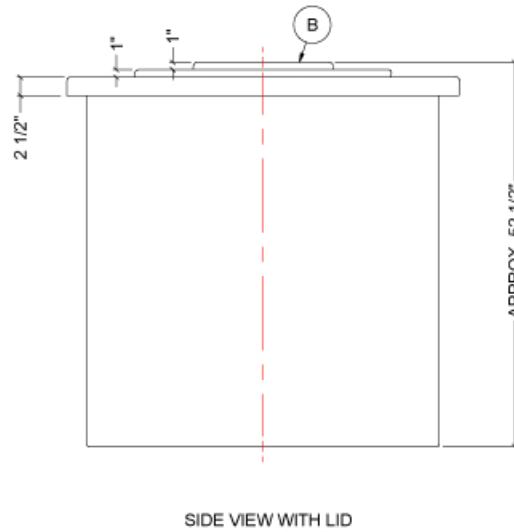
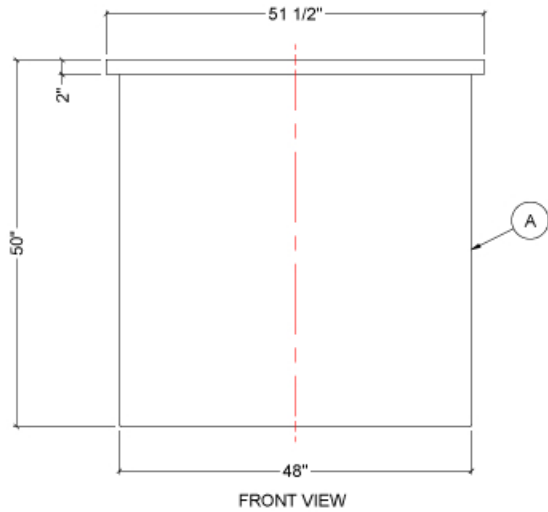
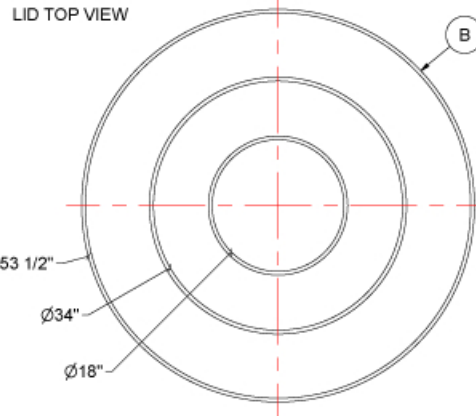
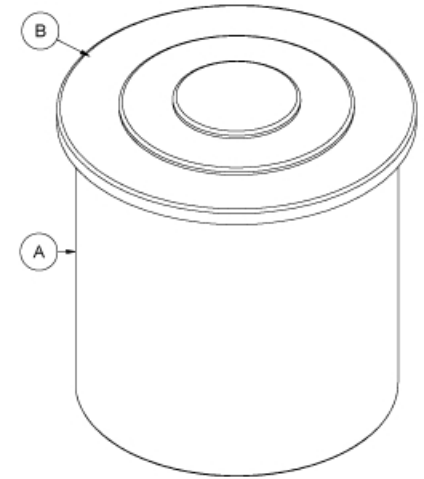



NOTES:

1. TANK IS MANUFACTURED TO ASTM-D-1998 STANDARD.
2. ALL DIMENSIONS ARE APPROXIMATE.



MATERIALS LIST		
ITEMS	DESCRIPTION	NOTES
A	OT-300A OPEN TOP TANK	
B	LID FOR OT-300A	



REV	DATE	DESCRIPTION	BY	APPD	REVD
REVISIONS					
CUSTOMER					
TITLE		ACC JOB NO.			
300 IG OPEN TOP TANK		PURCHASE ORDER NO.			
		PURCHASER'S EQUIP. NO.			
THIS DRAWING IS THE PROPERTY OF ROTOPLAST INC. AND SHALL NOT BE COPIED OR TRANSFERRED WITHOUT THE WRITTEN CONSENT OF ROTOPLAST INC.					
ENGINEERS SEAL		 <b>MAS PRECISION PLASTICS</b> Real Service. Real Solutions.			
		DESIGNED			
		DRAWN		VM	
		CHECKED			
		APPROVED			
		SCALE		N.T.S.	
		DATE		09-03-16	
DRAWING No. OT-300A-L					REV 0