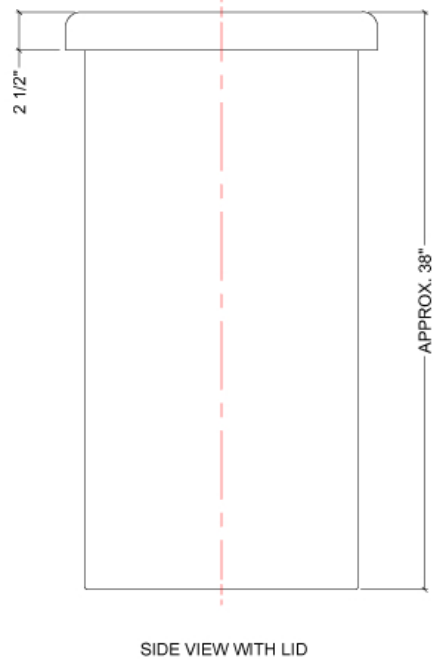
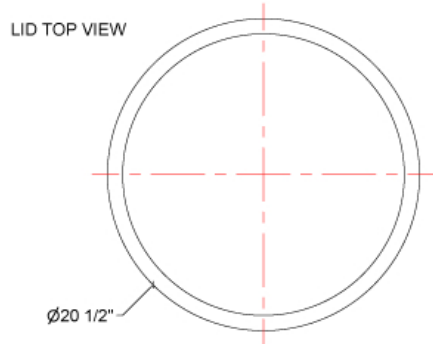
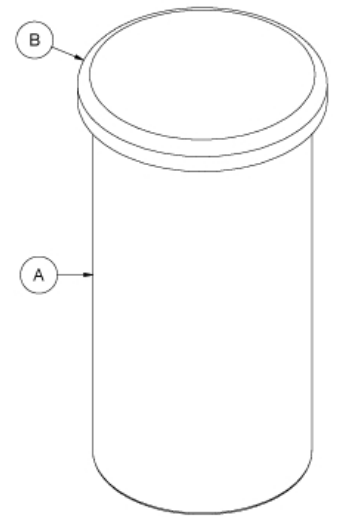



NOTES:
 1. TANK IS MANUFACTURED TO ASTM-D-1998 STANDARD.
 2. ALL DIMENSIONS ARE APPROXIMATE.



MATERIALS LIST		
ITEMS	DESCRIPTION	NOTES
A	OT-30 OPEN TOP TANK	
B	LID FOR OT-30	



REV	DATE	DESCRIPTION	BY	APPO	REVD	
REVISIONS						
CUSTOMER						
TITLE		ACO JOB NO:				
30 IG OPEN TOP TANK		PURCHASE ORDER NO:				
		PURCHASER'S EQUIP. NO:				
THIS DRAWING IS THE PROPERTY OF ROTOPLAST INC. AND SHALL NOT BE COPIED OR TRANSFERRED WITHOUT THE WRITTEN CONSENT OF ROTOPLAST INC.						
ENGINEERS SEAL		 MAS PRECISION PLASTICS Real Service. Real Solutions.				
		DESIGNED				
		DRAWN	WM			
		CHECKED				
		APPROVED				
		SCALE	N.T.S.			
		DATE	03-03-16			
DWG No		OT-30-L			REV	0