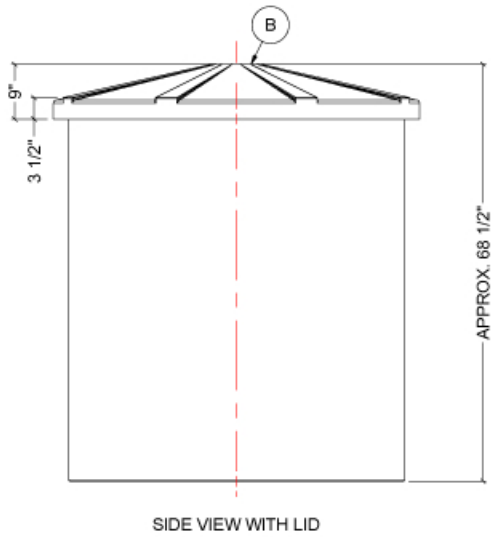
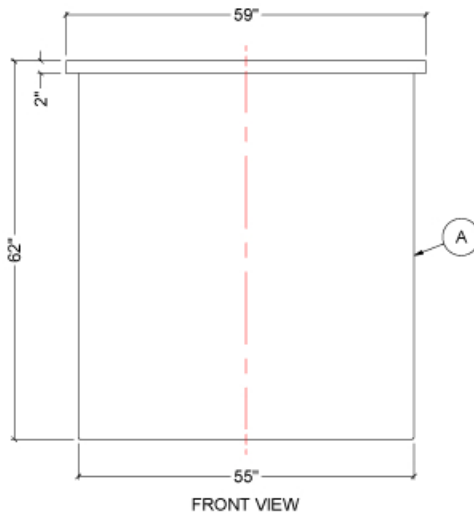
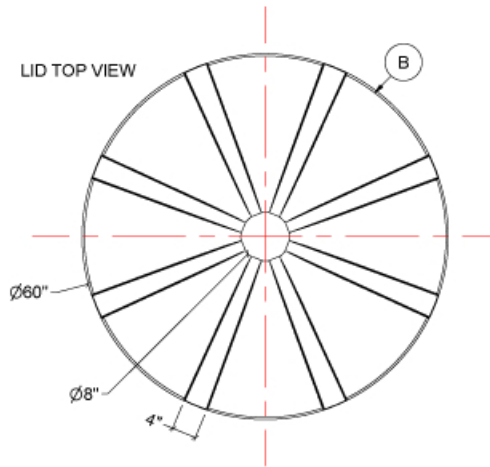
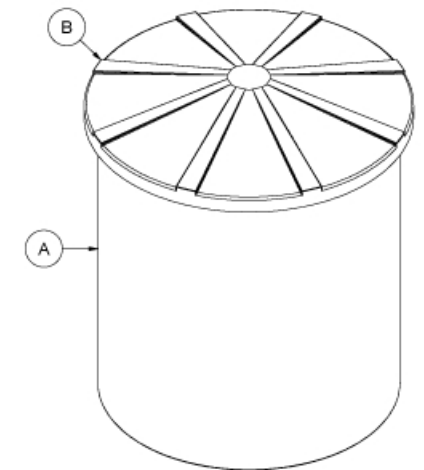



NOTES:

1. TANK IS MANUFACTURED TO ASTM-D-1998 STANDARD.
2. ALL DIMENSIONS ARE APPROXIMATE.



MATERIALS LIST		
ITEMS	DESCRIPTION	NOTES
A	OT-500 OPEN TOP TANK	
B	LID FOR OT-500	



REV	DATE	DESCRIPTION	BY	APPD	REVD
REVISIONS					
CUSTOMER					
TITLE		ACO JOB NO.			
500 IG OPEN TOP TANK		PURCHASE ORDER NO.			
		PURCHASER'S EQUIP. NO.			
THIS DRAWING IS THE PROPERTY OF ROTOPLAST INC. AND SHALL NOT BE COPIED OR TRANSFERRED WITHOUT THE WRITTEN CONSENT OF ROTOPLAST INC.					
ENGINEERS SEAL		 <b>MAS PRECISION PLASTICS</b> Real Service. Real Solutions.			
		DESIGNED			WM
		DRAWN			
		CHECKED			
		APPROVED			
		SCALE			N.T.S.
		DATE			09-03-16
DRAWN BY		OT-500-L			REV 0