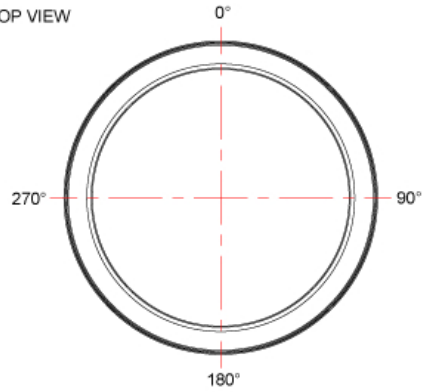


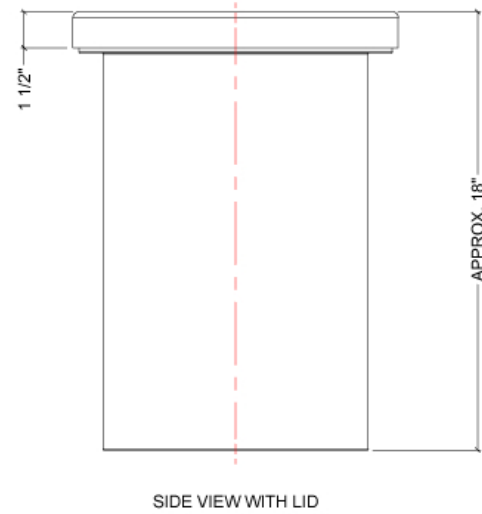
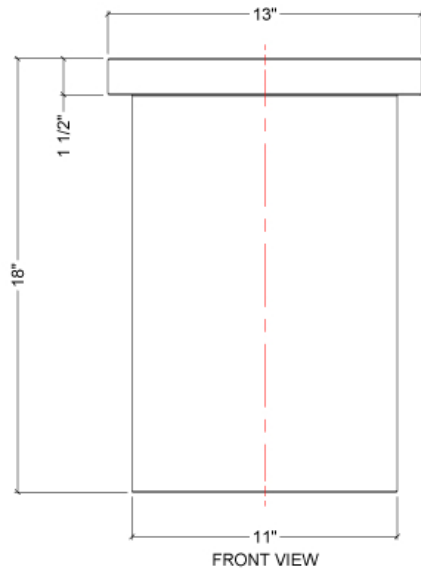
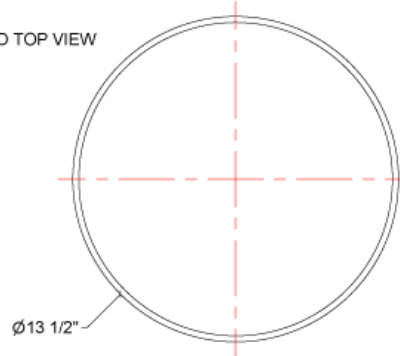
TOP VIEW



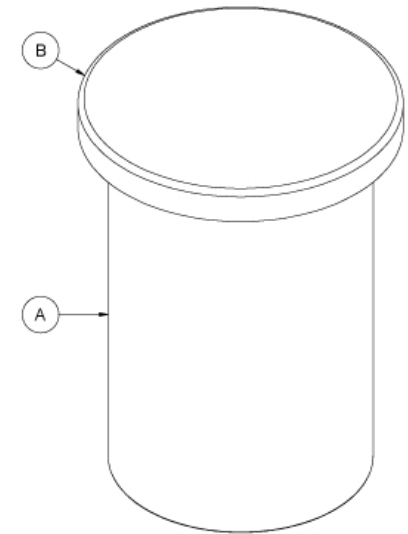
NOTES:


1. TANK IS MANUFACTURED TO ASTM-D-1998 STANDARD.
2. ALL DIMENSIONS ARE APPROXIMATE.

LID TOP VIEW



MATERIALS LIST		
ITEMS	DESCRIPTION	NOTES
A	OT-5 OPEN TOP TANK	
B	LID FOR OT-5	



REV	DATE	DESCRIPTION	BY	APPO	REVD
REVISIONS					
CUSTOMER					
TITLE		ACO JOB NO:			
5 IG OPEN TOP TANK		PURCHASE ORDER NO:			
		PURCHASER'S EQUIP. NO:			
THIS DRAWING IS THE PROPERTY OF ROTOPLAST INC. AND SHALL NOT BE COPIED OR TRANSFERRED WITHOUT THE WRITTEN CONSENT OF ROTOPLAST INC.					
ENGINEERS SEAL		 <b>MAS PRECISION PLASTICS</b> Real Service. Real Solutions.			
		DESIGNED			
		DRAWN			WH
		CHECKED			
		APPROVED			
		SCALE			N.T.S.
		DATE			03-03-16
DWG No		OT-5-L			REV
					0