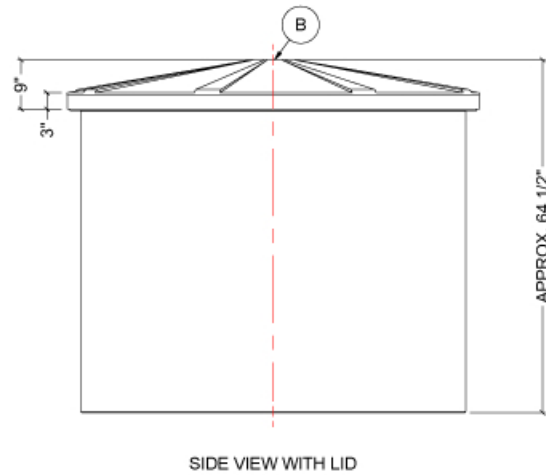
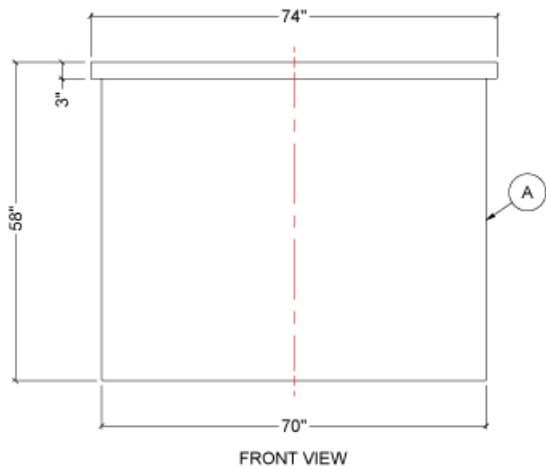
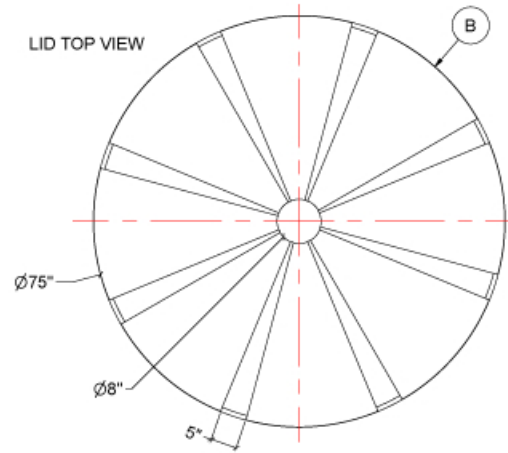
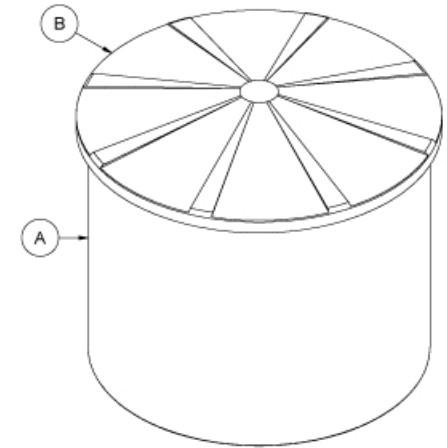


NOTES:  
 1. TANK IS MANUFACTURED TO ASTM-D-1998 STANDARD.  
 2. ALL DIMENSIONS ARE APPROXIMATE.



MATERIALS LIST		
ITEMS	DESCRIPTION	NOTES
A	OT-750 OPEN TOP TANK	
B	LID FOR OT-750	



REV	DATE	DESCRIPTION	BY	APPD	REVD	
REVISIONS						
CUSTOMER						
TITLE		ACO JOB NO.				
750 IG OPEN TOP TANK		PURCHASE ORDER NO.				
		PURCHASER'S EQUIP. NO.				
THIS DRAWING IS THE PROPERTY OF ROTOPLAST INC. AND SHALL NOT BE COPIED OR TRANSFERRED WITHOUT THE WRITTEN CONSENT OF ROTOPLAST INC.						
ENGINEER'S SEAL		<b>MAS PRECISION PLASTICS</b> Real Service. Real Solutions.				
		DESIGNED				
		DRAWN	WR			
		CHECKED				
		APPROVED				
		SCALE			R.T.S.	
		DATE			09-03-16	
DWG No.		OT-750-L			REV	0