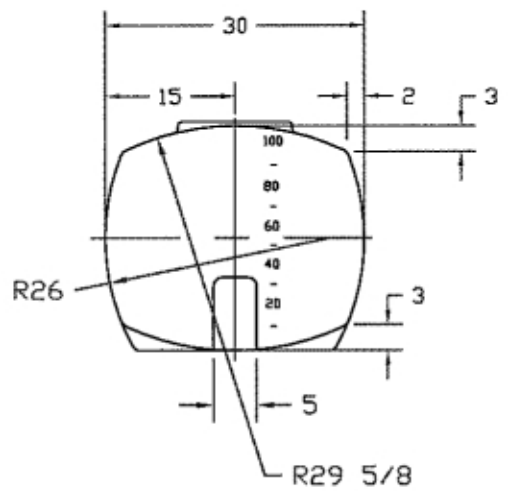
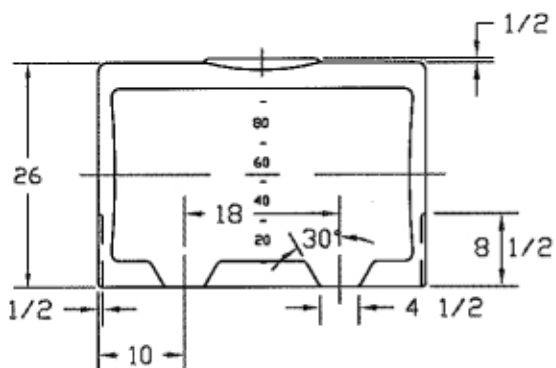
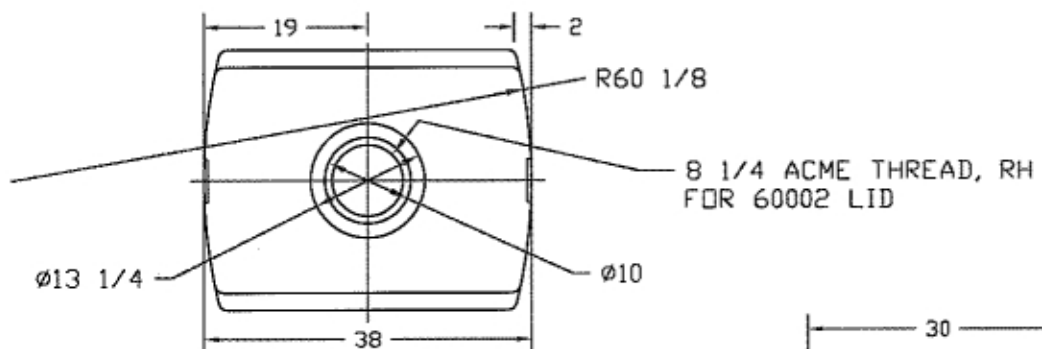



REVISIONS				
ZONE	REV	DESCRIPTION	DATE	APPROVED



- 24 3/32
- 21 7/16
- 19
- 16 11/16
- 14 7/16
- 12 7/32
- 9 31/32
- 7 11/16
- 5 11/32
- 2 25/32
- 0

 <b>MAS PRECISION PLASTICS</b> Real Service. Real Solutions.		<h3>100 GALLON PCO TANK</h3>		
		JTP 30JUN95	SIZE B	FSCM NO.
SCALE 1/16		SHEET		