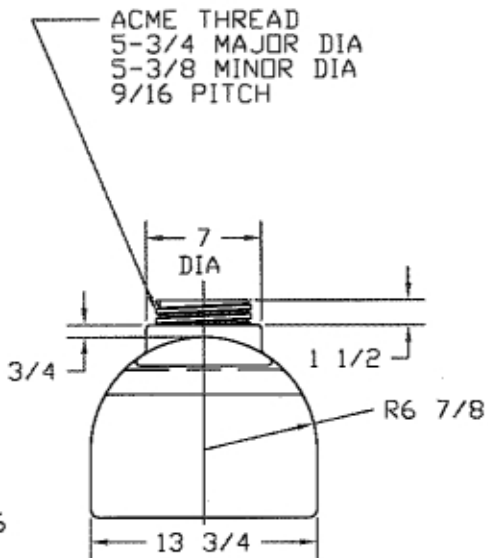
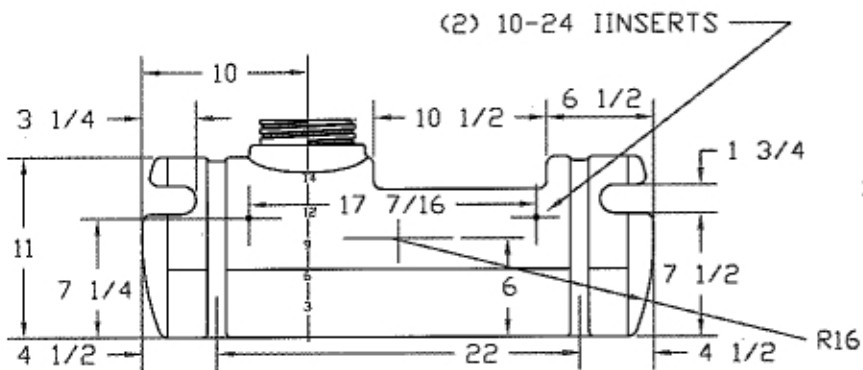
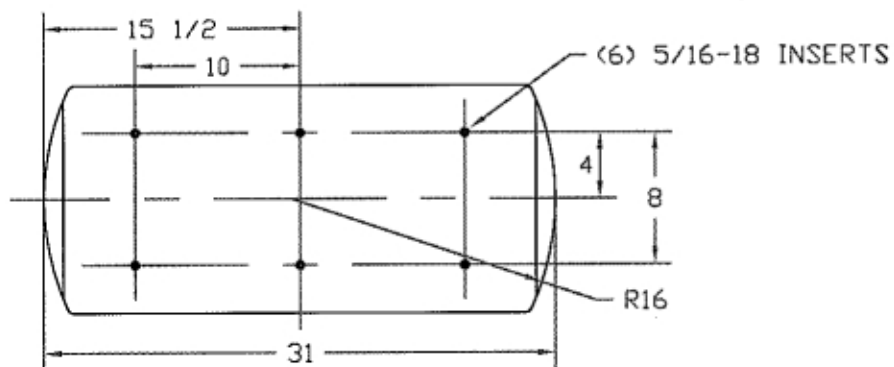



REVISIONS				
ZONE	REV	DESCRIPTION	DATE	APPROVED
	A	REDRAWN	19AUG97	
	B	LID THREAD REVISED	09FEB00	



14
12
9
6
3
BOTTOM OF TANK

GALLON MARKER LOCATIONS



		 MAS PRECISION PLASTICS Real Service. Real Solutions.	
		14 GALLON SPOT SPRAYER TANK	
JTP	19AUG97	SIZE B	REV B
SCALE $1/8$		SHEET	